

# PCM-24R1TP

1-Port Gigabit Ethernet, Intel® 82574L, mPCIe, RJ45

NEW



## Features

- Meets Advantech Standard iDoor Technology
- PCI Express® Mini Card Specification Revision 1.2 compliant
- Real-time Ethernet with hardware based Precision Time Protocol
- Achieves time synchronization for device or system
- I/O address automatically assigned by PCIe plug & play
- Supports 32/64-bit Windows 7/8, Linux 2.4/2.6
- Supports Embedded Automation PC UNO-2200/2300/2400 series
- Supports Control DIN-Rail PC UNO-1200/1300/1400 series
- Supports Control Cabinet PC UNO-3200/3300/3400 series
- Supports Control Panel Computers TPC-xx81/xx82 series
- Supports Thin Client Panel Computers TPC-xx51 series

## Introduction

The PCM-24 series are categorized as communication modules from Advantech iDoor Technology. They are all compatible with the PCI Express® Mini Card Specification Revision 1.2, including Isolated / Non-Isolated RS-232/422/485 communication cards for automation control, Wi-Fi/3G/GPS/GSM/LTE wireless communication models for data exchange during the management and machine level of automation application, Zigbee module as an IoT terminal or controller and PoE function for smart camera in detect inspection application of production. This is a flexible design that enables customers to customize their features which meet iDoor Technology.

## Specifications

### General

- **Bus Type** PCI Express Mini Card Revision 1.2
- **Certification** CE, FCC class A
- **Connectors** 1 x RJ45 GbE Half-/Full-Duplex
- **Dimensions** Module: 51 x 30 x 12.4 mm (2" x 1.18" x 0.49")  
I/O Plate: 81 x 19.4 x 41 mm (3.19" x 0.76" x 1.61")
- **Power Consumption** Typical : +3.3V @ 9 W

### Communications

- **LAN Controller** Intel® 82574L Gigabit Ethernet Chip
- **Speed** 10/100/1000 Base-TX, Auto-negotiation
- **Support** 9K jumbo frames, hardware-based support for precise time synchronization over Ethernet, wake-on-LAN

### Protection

- **Isolation Protection** 1,500 V<sub>DC</sub>
- **ESD Protection** 4KV (Contact), 8KV (Air)
- **EFT Protection** 1,000 V
- **Surge Protection** 1,000 V<sub>DC</sub>

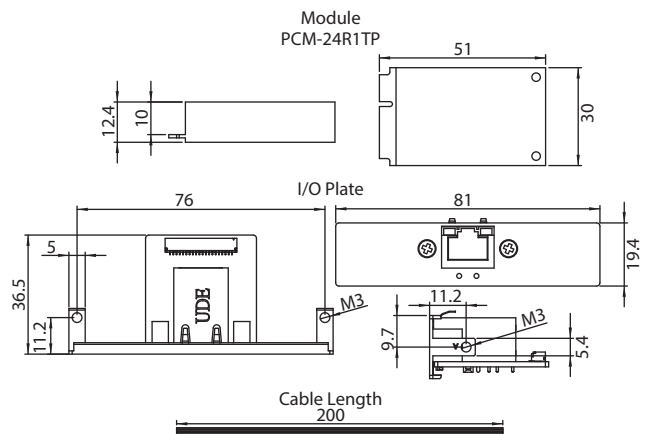
### Software

- **OS Support** Microsoft® Windows® XP/7/8, Linux Ubuntu 14.04

### Environment

- **Humidity (Operating)** 5-95% RH, non-condensing
- **Operating Temperature** -20 ~ 60°C (-4 ~ 140°F)
- **Storage Temperature** -40 ~ 85°C (-40 ~ 185°F)

## Dimensions



## Ordering Information

- **PCM-24R1TP-AE** 1-Port Gigabit Ethernet, Intel® 82574L, mPCIe, RJ45