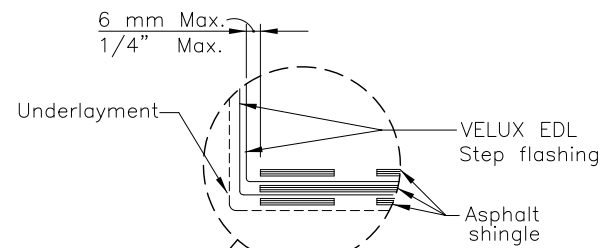
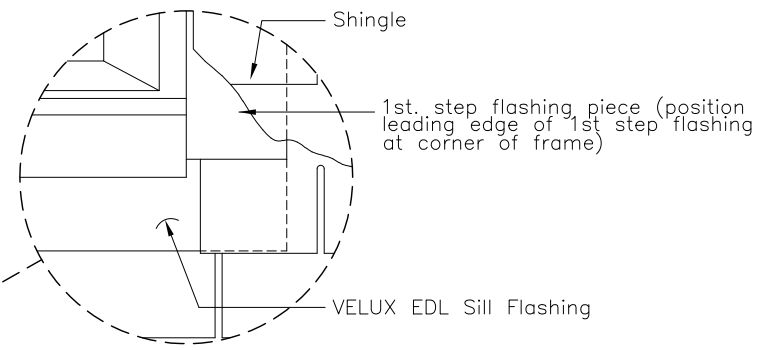


ELEVATION



BASIS OF DESIGN:  
VELUX FS  
Fixed skylight

Mounting bracket  
Attach to roof deck  
with nails furnished  
with skylight.

Sheathing

Tight joint  
between finish  
groove and  
finish material.

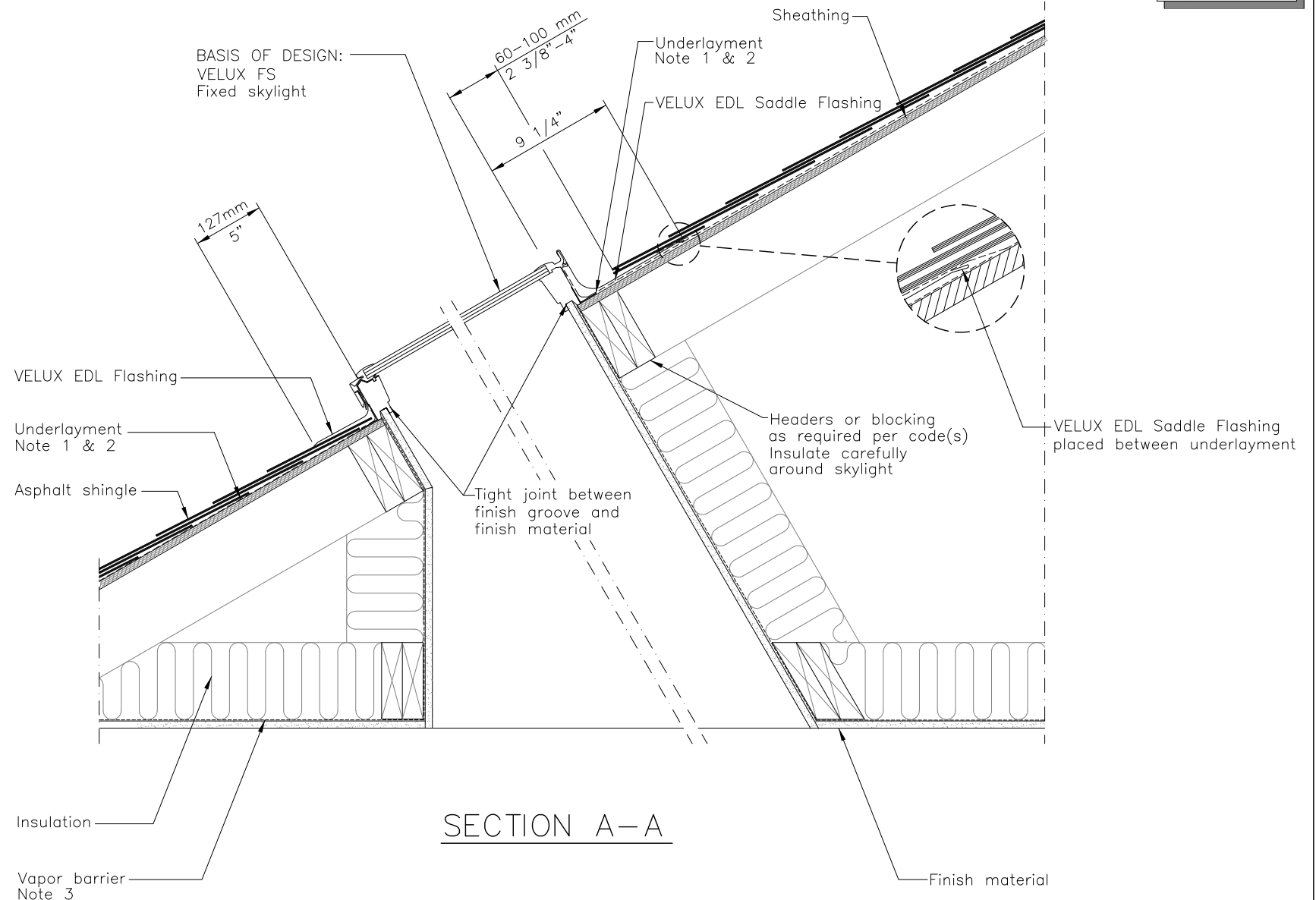
Insulation

Vapor barrier  
Note 3

Finish material

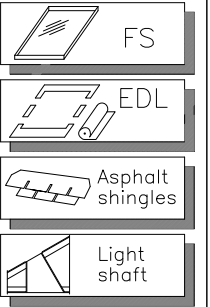
SECTION B-B

Blocking as required  
per code(s).  
Insulate carefully  
around shaft



SECTION A-A

1. Wrap frame in ZOZ 216 adhesive underlayment included with VELUX flashing.
2. Underlayment to be folded up against all sides of skylight.
3. Vapor barrier should be used to avoid moisture.



	VELUX 1418 Evans Pond Road Greenwood, SC 29649 1-800-88-VELUX www.VELUXUSA.com		Name	Date
	Sky-Product Management		Drawn by JDH July 2020 Checked by WQ July 2020	
FS-Residential/Commercial Roof Section (Light Shaft and Asphalt Shingles)			Drawing No.  FS-01-0720	

This drawing is an instrument of service and is provided for informational use only.