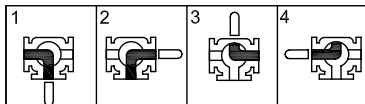




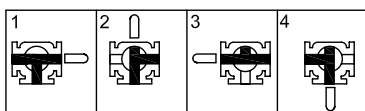
This investment cast 3-way valve can be an economical option for flow patterns that normally require multiple 2-way valves. Available in L or T port configurations, this valve is excellent for diverting flow within control loop processes. The ISO 5211 mounting pad optimizes quick & easy automation. Available only in 316 stainless steel with RTFE seat trim.

VALVE SIZE	VALVE Cv "L"	VALVE Cv "T"
1/4"	3	3.5
3/8"	3.5	4
1/2"	4.2	5
3/4"	7	8
1"	14	20
1-1/4"	19	30
1-1/2"	35	40
2"	45	60

Flow Patterns for L-Port



Flow Patterns for T-Port



Easy to Automate!

See automated data sheets for pre-sized assemblies



Pneumatic



Electric



**Series 38
3-Way
Ball Valve
Threaded**

Sizes 1/4" - 2"

1000 psi WOG

316SST

Regular Port Design

Threaded Ends

ISO 5211 Actuator Mounting Pad

Blowout Proof Stem

4 Seat Design (RTFE standard)

"L" or "T" Port Option

Lockable Manual Handle

STANDARDS

Design EN -1983, EN-12516-3
 End Connections ASME B1.20.1
 Pressure Testing EN-12266-1
 Mounting ISO 5211
 Marking System for Valves EN 19
 Material Certification EN 10204-3.1 MTR
 Quality Assurance ISO 9001:2008

**HOW TO ORDER
MANUAL VALVES**

SAMPLE PART #

38-TH-0025-XXX-T



See part number matrix for itemized options



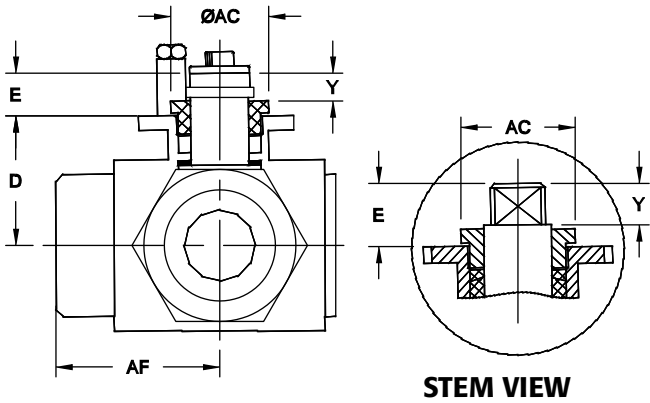
9955 International Blvd.
 Cincinnati, Ohio 45246
 www.atcontrols.com

PHONE (513) 247-5465
 FAX (513) 247-5462
 sales@atcontrols.com

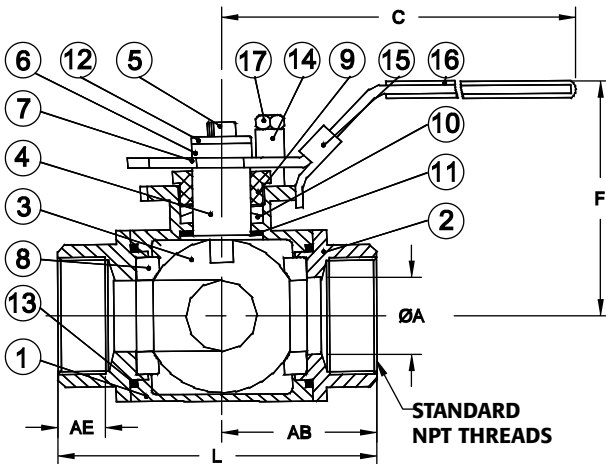
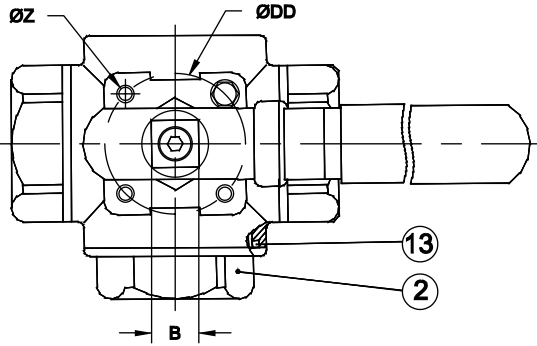
Series 38

Three-Way Threaded Ball Valve Regular Port, L or T Option

1000 psi WOG
1/4" to 2"



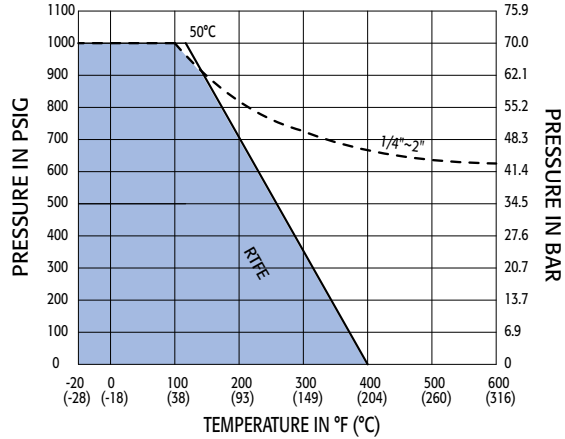
STEM VIEW



DIMENSIONS (IN)

SIZE	A	B	C	D	E	F	L	Y	Z	AB	AC	AE	AF	DD	ISO 5211	LBS
1/4"	0.43	0.354	5.25	1.06	0.42	2.39	2.73	0.20	M5	1.37	0.87	0.61	1.37	1.654	F04	1.32
3/8"	0.43	0.354	5.25	1.06	0.42	2.39	2.73	0.20	M5	1.37	0.87	0.61	1.37	1.654	F04	1.32
1/2"	0.49	0.354	5.25	1.20	0.42	2.52	2.98	0.19	M5	1.49	0.87	0.68	1.49	1.654	F04	1.54
3/4"	0.63	0.433	7.03	1.45	0.55	3.24	3.41	0.28	M6	1.70	1.22	0.76	1.70	1.969	F05	2.42
1"	0.79	0.433	7.03	1.60	0.79	3.39	4.03	0.45	M6	2.02	1.22	0.85	2.02	1.969	F05	3.86
1-1/4"	0.98	0.433	8.26	1.85	0.94	3.60	4.65	0.63	M6	2.33	1.22	0.93	2.33	1.969	F05	5.33
1-1/2"	1.26	0.433	8.19	2.14	1.02	4.04	4.95	0.61	M8	2.48	1.22	0.92	2.48	2.756	F07	7.49
2"	1.50	0.551	9.05	2.48	1.00	4.36	5.87	0.61	M8	2.93	1.34	1.00	2.93	2.756	F07	12.00

Pressure vs. Temperature Chart for Valves 1/4" to 2"



Break Away Torque for RTFE Seats	
SIZE	IN-LBS.
1/4"	65
3/8"	65
1/2"	90
3/4"	118
1"	200
1-1/4"	315
1-1/2"	440
2"	528

NOTE: Dotted line shows the rating for valve body. Solid line shows the rating for valve seat. Both ratings need to be considered when determining the limitation of the valve for specific application.

MATERIALS LIST

NO.	PART NAME	QTY	STAINLESS STEEL
1	BODY	1	ASTM A351 GRADE CF8M
2	END CAP	3	ASTM A351 GRADE CF8M
3	BALL	1	1/4" THRU 3/8" ASTM A276 SS316
3	BALL	1	1/2" THRU 2" ASTM A351 GR CF8M
4	STEM	1	ASTM A276 SS316
5	STEM NUT	2	AISI 304
6	STEM WASHER	1	AISI 304
7	HANDLE	1	AISI 304
8	SEAT	4	RTFE
9	GLAND NUT	1	AISI 304
10	GLAND PACKING	1	PTFE
11	THRUST WASHER	1	RTFE
12	STEM SPACER	1	AISI 304
13	JOINT GASKET	3	PTFE
14	SPACER	1	AISI 304
15	HANDLE LOCK	1	AISI 304
16	HANDLE SLEEVE	1	VINYL
17	STOP BOLT	1	AISI 304