



Pneumatic Spring Return Automated Ball Valve Package

Series 77 Sanitary End 3-Piece Ball Valve

Full Port Valve

800/1000 psi WOG
(by size)

Available 1/2"– 4"

316L Body, Ball & Stem

PTFE Seats

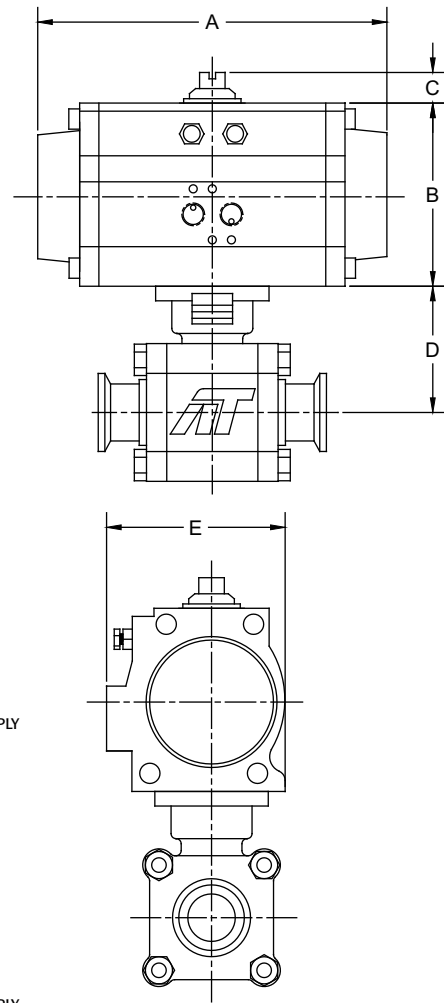
Sanitary or Tube OD Ends

Cavity Filled or

Non-Cavity Filled

STANDARDS

ASME BPE-1997
ISO 5211/1, 5209, 5752, 7/1, 261
MSS SP25
BS 5351



DIMENSIONS (IN) NON-CAVITY FILLED

VALVE SIZE	A	B	C	D	E
1/2"	7.95	3.43	0.79	1.66	3.29
3/4"	9.29	4.49	0.79	1.89	4.41
1"	9.29	4.49	0.79	2.23	4.41
1-1/2"	9.29	4.49	0.79	3.05	4.41
2"	10.87	4.88	0.79	3.35	4.69
2-1/2"	11.46	5.28	0.79	4.28	4.82
3"	13.90	6.18	0.79	4.63	5.20
4"	13.90	6.18	0.79	5.22	6.04

DIMENSIONS SHOWN ARE FOR ASSEMBLIES SIZED FOR 80 PSI SUPPLY

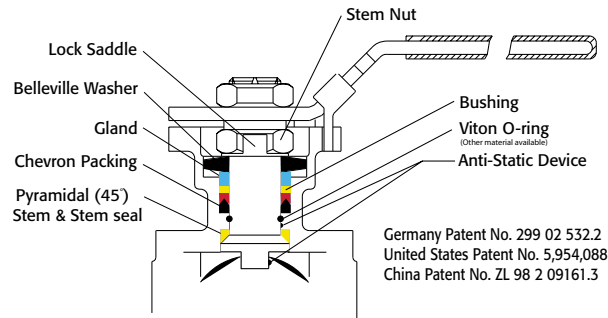
CAVITY FILLED

VALVE SIZE	A	B	C	D	E	VALVE Cv
1/2"	9.29	4.49	0.79	1.66	4.41	10
3/4"	9.29	4.49	0.79	1.89	4.41	30
1"	9.29	4.49	0.79	2.23	4.41	65
1-1/2"	10.87	4.88	0.79	3.05	4.82	200
2"	11.46	5.28	0.79	3.35	5.20	410
2-1/2"	15.16	6.93	1.18	4.28	6.69	600
3"	15.16	6.93	1.18	4.63	6.69	1050
4"	22.68	9.17	1.18	5.22	8.43	1900

DIMENSIONS SHOWN ARE FOR ASSEMBLIES SIZED FOR 80 PSI SUPPLY

NON-CAVITY FILLED

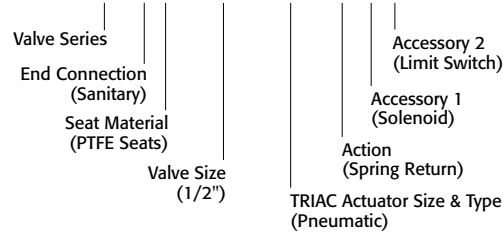
SIZED FOR 80 psi AIR SUPPLY		SIZED FOR 60 psi AIR SUPPLY	
SIZE	MODEL	SIZE	MODEL
1/2"	77-C1-050/2R2S-XX	1/2"	77-C1-050/2R2S-XX
3/4"	77-C1-075/2R3S-XX	3/4"	77-C1-075/2R3S-XX
1"	77-C1-100/2R3S-XX	1"	77-C1-100/2R3S-XX
1-1/2"	77-C1-150/2R3S-XX	1-1/2"	77-C1-150/2R3S-XX
2"	77-C1-200/2R4S-XX	2"	77-C1-200/2R4S-XX
2-1/2"	77-C1-250/2R5S-XX	2-1/2"	77-C1-250/2R5S-XX
3"	77-C1-300/2R6S-XX	3"	77-C1-300/2R6S-XX
4"	77-C1-400/2R6S-XX	4"	77-C1-400/2R6S-XX



CAVITY FILLED

SIZED FOR 80 psi AIR SUPPLY		SIZED FOR 60 psi AIR SUPPLY	
SIZE	MODEL	SIZE	MODEL
1/2"	77-CF-050/2R3S-XX	1/2"	77-CF-050/2R3S-XX
3/4"	77-CF-075/2R3S-XX	3/4"	77-CF-075/2R3S-XX
1"	77-CF-100/2R3S-XX	1"	77-CF-100/2R3S-XX
1-1/2"	77-CF-150/2R4S-XX	1-1/2"	77-CF-150/2R4S-XX
2"	77-CF-200/2R5S-XX	2"	77-CF-200/2R5S-XX
2-1/2"	77-CF-250/2R6S-XX	2-1/2"	77-CF-250/2R6S-XX
3"	77-CF-300/2R7S-XX	3"	77-CF-300/2R7S-XX
4"	77-CF-400/2R7S-XX	4"	77-CF-400/2R7S-XX

SAMPLE PART # 77-C1-050/2R2S-XX



OPTIONS

DESCRIPTION	PART NO. SUFFIX	DESCRIPTION	PART NO. SUFFIX
NEMA 4 Solenoid	(A)	NEMA 4 Limit Switch (2) spdt	(A)
NEMA 7 Solenoid	(B)	NEMA 7 Limit Switch (2) spdt	(B)

Other options available - call for details. Actuators are based on clean/clear fluids. See valve part number matrix for complete part number and options

050111-775R



Triac Division
11363 Deerfield Rd.
Cincinnati, Ohio 45242
PHONE (513) 247-5465
FAX (513) 247-5462
e-mail: sales@a-tcontrols.com
www.a-tcontrols.com

SERIES 77 Sanitary Ends