



# Pneumatic Spring Return

## Automated Ball Valve Package

### Series 8R 3-Piece Ball Valve

Regular Port Valve

1500 & 2000 psi WOG  
(by size)

Available 1/4"– 2-1/2"

316SS or WCB Body

316SS Ball & Stem

Belleville Washers,  
Double Chevron Packing,  
RTFE Seats Standard

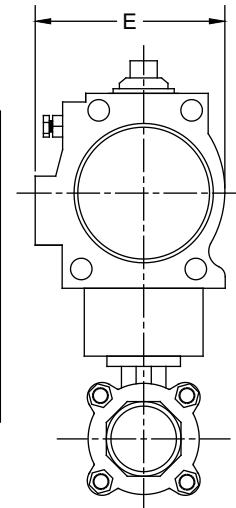
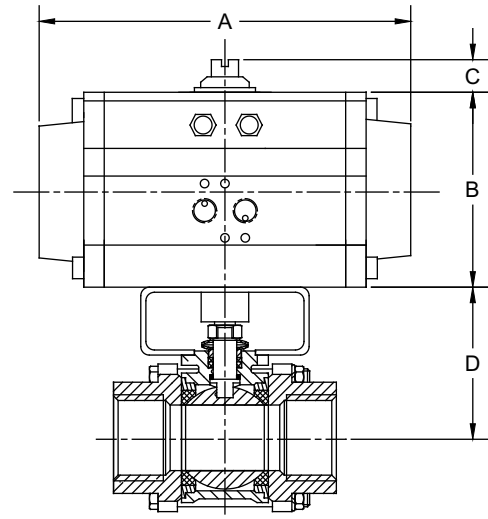
Threaded, SW or BW

#### STANDARDS

ANSI B16.34, B16.25, B1.20.1, B16.11  
API 6D, 598, 607  
ISO 5211, 5209, 5752, 7/1, 261  
MSS PS25, PS72  
BS 5351, 6755-1, 6755-2



Direct Mount



#### DIMENSIONS (IN)

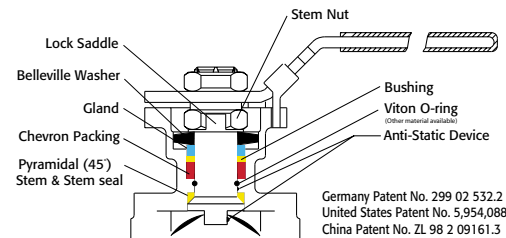
| VALVE SIZE | A     | B    | C    | D    | E    | VALVE Cv |
|------------|-------|------|------|------|------|----------|
| 1/4"       | 7.95  | 3.43 | 0.79 | 2.65 | 3.29 | 8        |
| 3/8"       | 7.95  | 3.43 | 0.79 | 2.65 | 3.29 | 8        |
| 1/2"       | 7.95  | 3.43 | 0.79 | 2.65 | 3.29 | 8        |
| 3/4"       | 7.95  | 3.43 | 0.79 | 2.62 | 3.29 | 15       |
| 1"         | 9.29  | 4.49 | 0.79 | 2.78 | 4.41 | 34       |
| 1-1/4"     | 9.29  | 4.49 | 0.79 | 2.90 | 4.41 | 56       |
| 1-1/2"     | 9.29  | 4.49 | 0.79 | 3.13 | 4.41 | 95       |
| 2"         | 10.87 | 4.88 | 0.79 | 3.42 | 4.82 | 200      |
| 2-1/2"     | 11.46 | 5.28 | 0.79 | 4.30 | 5.20 | 350      |

DIMENSIONS SHOWN ARE FOR ASSEMBLIES SIZED FOR 80 PSI SUPPLY

SERIES 8R 3 Piece

| SIZED FOR<br>80 psi AIR SUPPLY |                   |
|--------------------------------|-------------------|
| SIZE                           | MODEL             |
| 1/4"                           | 8R-TX-025/2R2S-XX |
| 3/8"                           | 8R-TX-038/2R2S-XX |
| 1/2"                           | 8R-TX-050/2R2S-XX |
| 3/4"                           | 8R-TX-075/2R2S-XX |
| 1"                             | 8R-TX-100/2R3S-XX |
| 1-1/4"                         | 8R-TX-125/2R3S-XX |
| 1-1/2"                         | 8R-TX-150/2R3S-XX |
| 2"                             | 8R-TX-200/2R4S-XX |
| 2-1/2"                         | 8R-TX-250/2R5S-XX |

| SIZED FOR<br>60 psi AIR SUPPLY |                   |
|--------------------------------|-------------------|
| SIZE                           | MODEL             |
| 1/4"                           | 8R-TX-025/2R2S-XX |
| 3/8"                           | 8R-TX-038/2R2S-XX |
| 1/2"                           | 8R-TX-050/2R2S-XX |
| 3/4"                           | 8R-TX-075/2R2S-XX |
| 1"                             | 8R-TX-100/2R3S-XX |
| 1-1/4"                         | 8R-TX-125/2R3S-XX |
| 1-1/2"                         | 8R-TX-150/2R4S-XX |
| 2"                             | 8R-TX-200/2R4S-XX |
| 2-1/2"                         | 8R-TX-250/2R6S-XX |



Germany Patent No. 299 02 532.2  
United States Patent No. 5,954,088  
China Patent No. ZL 98 2 09161.3

#### SAMPLE PART # 8RC-TX-050/2R2S-XX

- Valve Series
- Denotes Carbon Steel
- End Connection (Threaded)
- Seat Material (RTFE Seats)
- Valve Size (1/2")
- TRIAC Actuator
- Pneumatic Rack & Pinion
- Actuator Size
- Spring Return
- Solenoid
- Limit Switch

#### OPTIONS

| DESCRIPTION     | PART NO. SUFFIX | DESCRIPTION                  | PART NO. SUFFIX |
|-----------------|-----------------|------------------------------|-----------------|
| NEMA 4 Solenoid | (A)             | NEMA 4 Limit Switch (2) spdt | (A)             |
| NEMA 7 Solenoid | (B)             | NEMA 7 Limit Switch (2) spdt | (B)             |

Other options available - call for details  
Actuators are sized based on clean/clear fluid.

See valve part number matrix for complete part number and options.



Triac Division  
11363 Deerfield Rd.  
Cincinnati, Ohio 45242  
PHONE (513) 247-5465  
FAX (513) 247-5462  
e-mail: sales@a-tcontrols.com  
www.a-tcontrols.com