



Electric

Automated Ball Valve Package

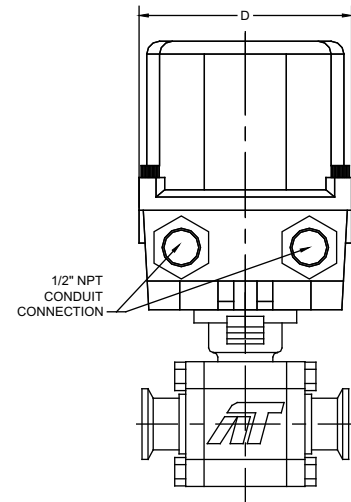
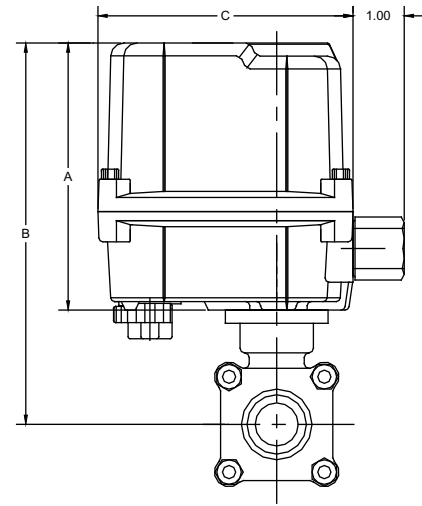
Series 77 Sanitary End 3-Piece Ball Valve

Full Port Valve
800/1000 WOG psi
(by size)

Available 1/2"– 4"
316L Body, Ball & Stem
PTFE Seats
Sanitary or Tube OD Ends
Cavity Filled or
Non-Cavity Filled

STANDARDS

ASME BPE-1997
ISO 5211/1, 5209, 5752, 7/1, 261
MSS SP25
BS 5351



DIMENSIONS (IN) NON-CAVITY FILLED

VALVE SIZE	A	B	C	D
1/2"	5.24	6.90	4.94	4.08
3/4"	5.24	7.13	4.94	4.08
1"	5.24	7.47	4.94	4.08
1-1/2"	5.24	8.29	4.94	4.08
2"	9.25	12.60	10.16	6.69
2-1/2"	10.55	14.83	13.31	9.02
3"	10.55	15.18	13.31	9.02
4"	10.55	15.77	13.31	9.02

CAVITY FILLED

VALVE SIZE	A	B	C	D	VALVE Cv
1/2"	5.24	6.90	4.94	4.08	10
3/4"	5.24	7.13	4.94	4.08	30
1"	5.24	7.47	4.94	4.08	65
1-1/2"	5.24	8.29	4.94	4.08	200
2"	9.25	12.60	10.16	6.69	410
2-1/2"	10.55	14.83	13.31	9.02	600
3"	10.55	15.18	13.31	9.02	1050
4"	10.55	15.77	13.31	9.02	1900

NON-CAVITY FILLED

ON-OFF		MODULATING	
SIZE	MODEL	SIZE	MODEL
1/2"	77-C1-050/WEA1-XX	1/2"	77-C1-050/WEA2-XX
3/4"	77-C1-075/WEA1-XX	3/4"	77-C1-075/WEA2-XX
1"	77-C1-100/WEA1-XX	1"	77-C1-100/WEA2-XX
1-1/2"	77-C1-150/WEA1-XX	1-1/2"	77-C1-150/WEA2-XX
2"	77-C1-200/WEB1-XX	2"	77-C1-200/WEB2-XX
2-1/2"	77-C1-250/WEC1-XX	2-1/2"	77-C1-250/WEC2-XX
3"	77-C1-300/WEE1-XX	3"	77-C1-300/WEE2-XX
4"	77-C1-400/WED1-XX	4"	77-C1-400/WED2-XX

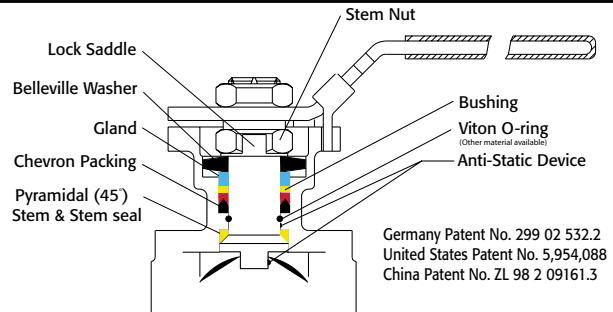
CAVITY FILLED

ON-OFF		MODULATING	
SIZE	MODEL	SIZE	MODEL
1/2"	77-CF-050/WEA1-XX	1/2"	77-CF-050/WEA2-XX
3/4"	77-CF-075/WEA1-XX	3/4"	77-CF-075/WEA2-XX
1"	77-CF-100/WEA1-XX	1"	77-CF-100/WEA2-XX
1-1/2"	77-CF-150/WEB1-XX	1-1/2"	77-CF-150/WEB2-XX
2"	77-CF-200/WEC1-XX	2"	77-CF-200/WEC2-XX
2-1/2"	77-CF-250/WED1-XX	2-1/2"	77-CF-250/WED2-XX
3"	77-CF-300/WEE1-XX	3"	77-CF-300/WEE2-XX
4"	77-CF-400/WEE1-XX	4"	77-CF-400/WEE2-XX

OPTIONS

DESCRIPTION
24 VAC/24 VDC/220VAC
Feedback potentiometer

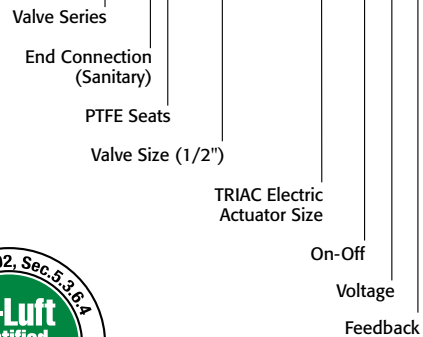
NOTE: Heater and thermostat standard (2) auxiliary switches standard
Other options available - call for details
Actuators are sized based on clean/clear fluid.
See valve part number matrix for complete part number and options
050111-77EL



Germany Patent No. 299 02 532.2
United States Patent No. 5,954,088
China Patent No. ZL 98 2 09161.3

SAMPLE PART

77-C1-050/WEA1-XX



Triac Division
11363 Deerfield Rd.
Cincinnati, Ohio 45242

PHONE (513) 247-5465
FAX (513) 247-5462
e-mail: sales@a-tcontrols.com
www.a-tcontrols.com

Valve Options

Various Seat Materials

PTFE, RTFE, 50/50, 15% CFTE, Delrin PEEK, Hard Facing, UHMWPE, TFM-1600

Several hard face and metal-metal options

Gear Operators

Quarter-turn Gear Operators

Spring Return "Deadman" Handles

Oval handles, TEE Handles

Specials and Solutions

Steam Jackets

Stem Extensions

V-ported Control Valves

Multi-port Valve Solutions

Fugitive Emissions Bonnets (TSM's)

Oxygen Cleaning

Lockout Brackets

Vented Balls

"No Play" Mounting Kits

- **FM Approved Valves and Assemblies**



Triac Division
11363 Deerfield Rd.
Cincinnati, Ohio 45242

PHONE (513) 247-5465
FAX (513) 247-5462
e-mail: sales@a-tcontrols.com
www.a-tcontrols.com

050111-77

Other Products

Special Seats

Balls and Seal Designs



Steam Jacketed Valves



Floor Mounted Damper Drives



Limit Switches

Mounted on Manual Valves



Fusible Link Assemblies



180° Actuators



Lockout Mounting Kits



Stem Extensions



Special Multi-Port Valves



Dual Valve Assemblies

