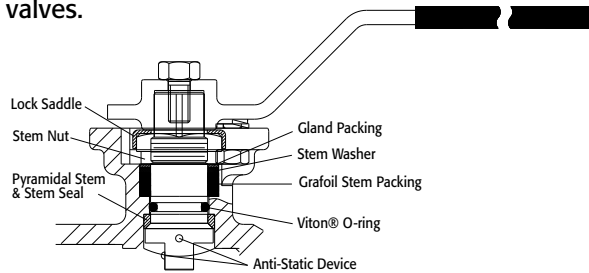




Triac Series 24 High Pressure Ball Valves feature a high quality investment cast body and end. They are available in 1/4" through 2" (all are full port except the 2" size). Superior leak protection is accomplished by using our patented Pyramidal Stem Seal Packing System shown in the graphic below. This advanced system protects against wear and leakage experienced by other ball valves.



VALVE SIZE	VALVE CV
1/4"	7
3/8"	8
1/2"	15
3/4"	35
1"	50
1-1/4"	95
1-1/2"	180
2"	210

Delrin® seats are standard in these high performance valves. See pressure temperature chart for performance particulars.

## Easy to Automate!

See automated data sheets for pre-sized assemblies



Pneumatic



Electric

**TRIAQ**  
CONTROLS

# Series 24

**FIRESAFE**

## HIGH PRESSURE 2-Piece Design

Sizes 1/4" – 2"  
(1/4" – 1-1/2" Full Port, 2" Regular Port)

Available in 316SST

Direct Mount

3000 psi WOG

High Cycle Design

Pyramidal Stem Seal Packing System

Compliant to NACE MR0175

Blowout Proof Stem

Delrin® Seats Standards

ISO 5211 Actuator Mounting Pad

Lockable Manual Handle

### STANDARDS

Design	ANSI/ASME B16.34, Firesafe design
End Connections	ANSI/ASME B16.25, B1.20.1
Pressure Testing	API 598
Sulfide Stress Protection	NACE MR0175
Mounting	ISO 5211
Marking System for Valves	MSS SP-25, MSS SP-72, ISO 5209
Material Certification	EN 10204-3.1 MTR
Quality Assurance	ISO 9001:2008

## HOW TO ORDER MANUAL VALVES

SAMPLE PART #

**24-TH-0200-XXX**

Valve Series

End Connection

Valve Size

Seat Material

Special Designation

Additional Special Designation

See part number matrix for itemized options

**A-T Controls, Inc.**

9955 International Blvd.  
Cincinnati, Ohio 45246  
www.atcontrols.com

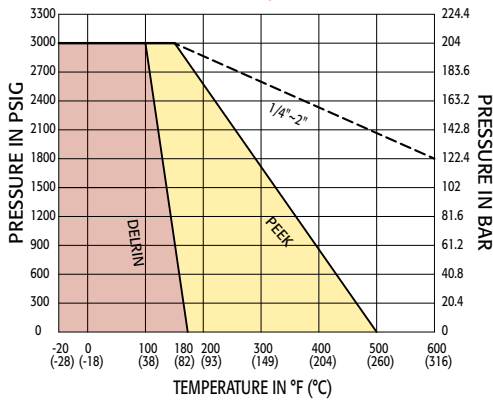
PHONE (513) 247-5465  
FAX (513) 247-5462  
sales@atcontrols.com

# Series 24

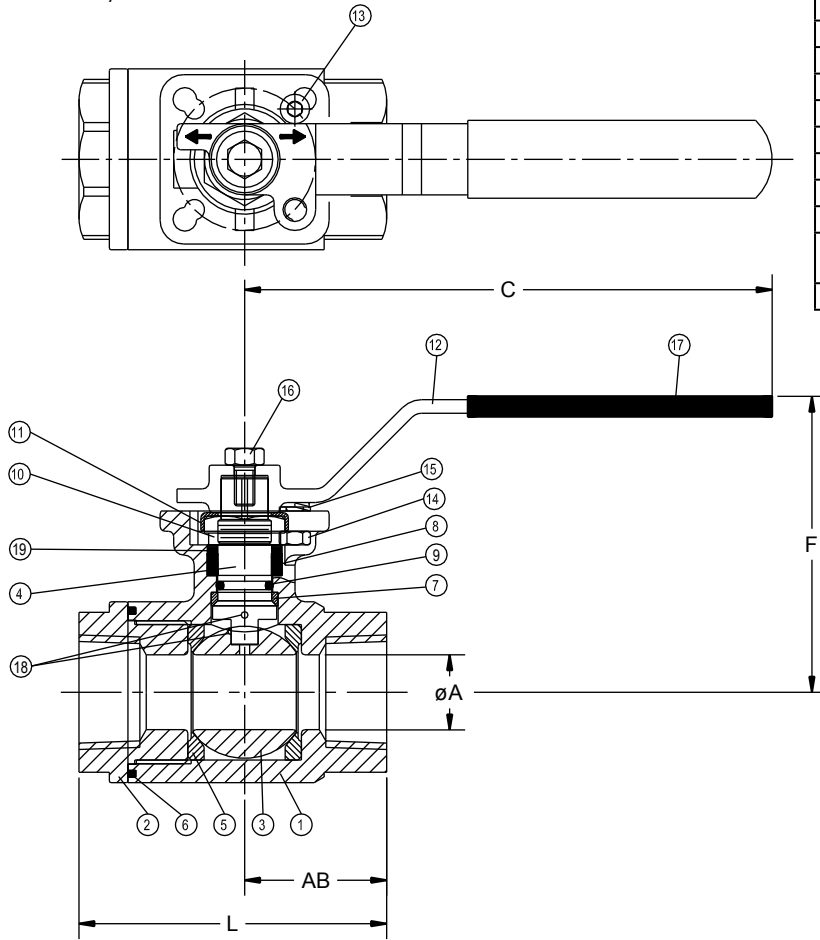
2-Piece Direct Mount Ball Valve  
Integrated ISO 5211  
Actuator Mounting Pad

3000 psi WOG  
1/4" to 1-1/2" Full Port  
2" Regular Port

Pressure vs. Temperature Chart  
for Valves 1/4" to 2"



NOTE: Dotted line shows the rating for valve body. Solid line shows the rating for valve seat. Both ratings need to be considered when determining the limitation of the valve for specific application. Consult factory for other seat materials.



## DIMENSIONS (IN)

SIZE	A	B	C	D	E	F	G	L	AB	DD1	DD2	DD3	Z1	Z2	Z3	ISO 5211
1/4"	0.38	0.354	4.96	1.61	0.31	2.83	1.02	2.95	1.417	1.417	1.654	1.969	0.24	0.24	0.28	F03/F04/F05
3/8"	0.38	0.354	4.96	1.61	0.31	2.83	1.02	2.95	1.417	1.417	1.654	1.969	0.24	0.24	0.28	F03/F04/F05
1/2"	0.50	0.354	4.96	1.61	0.31	2.83	1.28	2.95	1.417	1.417	1.654	1.969	0.24	0.24	0.28	F03/F04/F05
3/4"	0.69	0.354	4.96	1.72	0.31	2.87	1.51	3.19	1.417	1.417	1.654	1.969	0.24	0.24	0.28	F03/F04/F05
1"	0.87	0.433	6.14	2.11	0.39	3.43	1.86	3.58	1.654	1.654	1.969	—	0.24	0.28	—	F04/F05
1-1/4"	1.14	0.433	6.14	2.32	0.39	3.66	2.32	4.33	1.654	1.654	1.969	—	0.24	0.28	—	F04/F05
1-1/2"	1.37	0.551	7.13	2.96	0.51	4.49	2.61	4.76	1.969	1.969	2.756	—	0.28	0.34	—	F05/F07
2" RP	1.37	0.551	7.13	2.96	0.51	4.49	3.23	5.71	1.969	1.969	2.756	—	0.28	0.34	—	F05/F07

Viton® is a registered trademark of E.I. DuPont de Nemours.  
Delrin® is a registered trademark of DuPont Performance Polymers.  
A-T Controls reserves the right to change product designs and technical/dimensional specifications without notice.

## BREAKAWAY TORQUES w/Delrin® Seats

SIZE	IN-LBS
1/4"	122
3/8"	122
1/2"	153
3/4"	184
1"	247
1-1/4"	470
1-1/2"	553
2"	553

NOTE: For other seat material, consult factory.

## MATERIALS LIST

NO.	PART NAME	QTY	STAINLESS STEEL	CARBON STEEL
1	BODY	1	ASTM A351 GRADE CF8M	ASTM A216 GRADE WCB
2	END CAP	1	ASTM A351 GRADE CF8M	ASTM A216 GRADE WCB
3	BALL	1	1/4" THRU 3/8" ASTM A276 SS316	1/4" THRU 3/8" ASTM A276 SS316
3	BALL	1	1/2" THRU 2" ASTM A351 GRADE CF8M	1/2" THRU 2" ASTM A351 GRADE CF8M
4	STEM	1	ASTM A276 SS316	ASTM A276 SS316
5	SEAT	2	DELRIN®	DELRIN®
6	JOINT GASKET	1	GRAFOIL	GRAFOIL
7	STEM SEAL	1	DELRIN®	DELRIN®
8	STEM PACKING	1	GRAFOIL	GRAFOIL
9	O-RING	1	VITON®	VITON®
10	STEM NUT	1	AISI 304	AISI 304
11	LOCK SADDLE	1	AISI 304	AISI 304
12	HANDLE	1	AISI 304	AISI 304
13	STOP BOLT	1	AISI 304	AISI 304
14	STOP NUT	1	AISI 304	AISI 304
15	STOP WASHER	1	AISI 304	AISI 304
16	HANDLE BOLT	1	AISI 304	AISI 304
17	HANDLE SLEEVE	1	VINYL	VINYL
18	ANTI-STATIC DEVICE	2	AISI 316	AISI 316
19	GLAND WASHER	1	RTFE	RTFE

