

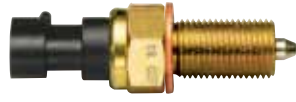
00711100 PLUNGER SWITCHES

12V/24V • “Superseal” Type • 1,5 series • Normally Open Mechanical



00711100

interchangeable with IVECO 98429631



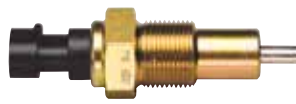
00711200

interchangeable with IVECO 4858212



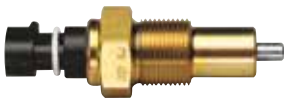
00711300

interchangeable with IVECO 4862580



00711400

interchangeable with IVECO 4862212



00711900

interchangeable with IVECO 99437106



00712000

interchangeable with IVECO 99445107



00711700

interchangeable with IVECO 50302971



00713000

Description

The mechanical switches signal many different situations that may occur on commercial vehicles: differential lock, low gears activation, handbrake failure, etc. Mechanical switches both with 12V and with 24V; available are versions with contacts normally open or contacts normally closed, and black seal connector IP 67/CEI EN 60529.

Features and Benefits

- All the mechanical switches function both with 12V and with 24V
- Black seal connector IP 67/CEI EN 60529.
- Some versions are suitable for use under pressure conditions
- Silver plated contacts
- The superseal connector is protected with a rubber cap to prevent dirt intrusion before mounting

Specifications Overview

Voltage: 12V/24V

Ingress Protection: IP69K

Applications

- IVECO Eurocargo
- IVECO Daily

Web Resources

Download technical resources at:
littelfuse.com/plungerswitches

Ordering Information

PART NUMBER	MATERIAL BODY	TYPE	LOAD WATT	CONTACT MATERIAL	USE IN PRESSURE	NUT
00711100	Steel	Normally Open	3 watt lamp	silver-plated	-	22
00711200	Steel	Normally Open	3 watt lamp	silver-plated	-	22
00711300	Steel	Normally Open	3 watt lamp	silver-plated	-	22
00711400	Steel	Normally Open	3 watt lamp	silver-plated	-	27
00711700	Steel	Normally Open	3 watt lamp	silver-plated	-	22
00711900	Steel	Normally Open	3 watt lamp	silver-plated	-	27
00712000	Steel	Normally Open	3 watt lamp	silver-plated	12,5 bar	22
00713000	Steel	Normally Open	3 watt lamp	silver-plated	-	22

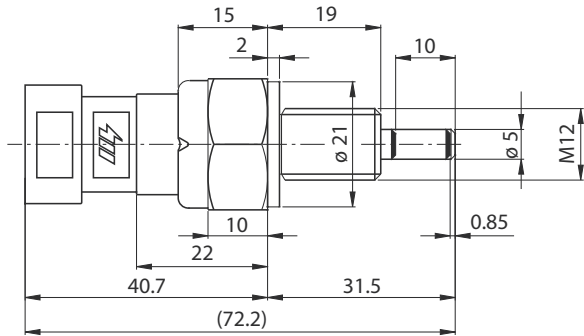
Accessories

PART NUMBER	DESCRIPTION
00712100	Seal female connector for all switches with “Superseal” male connector

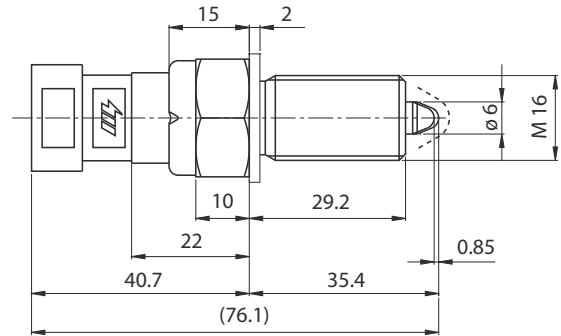


00712100

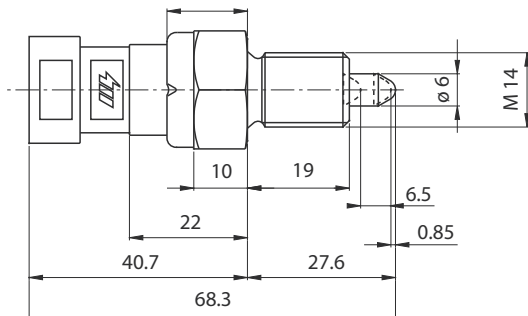
00711100 PLUNGER SWITCHESS



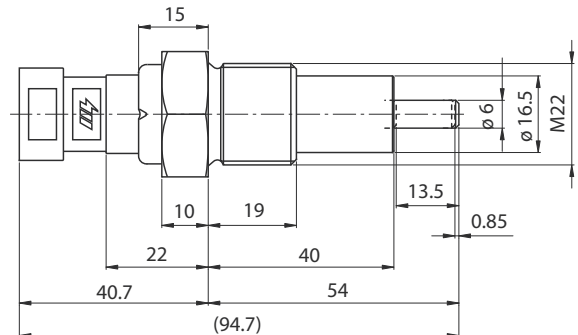
00711100



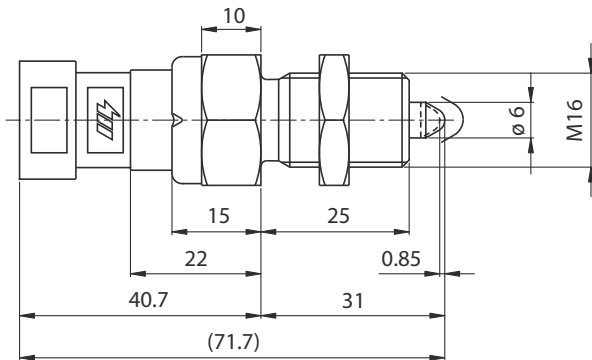
00711200



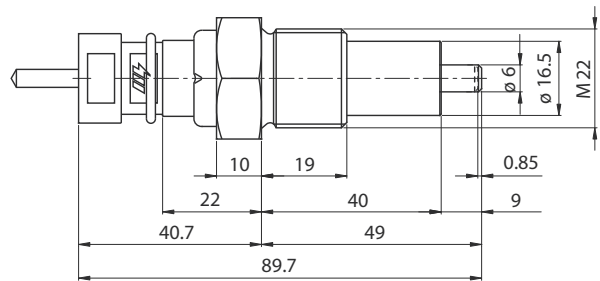
00711300



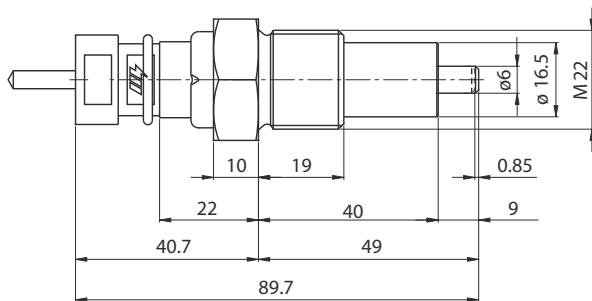
00711400



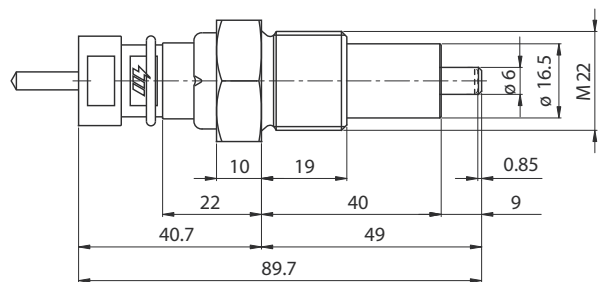
00711700



00712000



00711900



00713000

00711500 PLUNGER SWITCHES

12V/24V • “Superseal” Type • 1,5 series • Normally Closed Mechanical



00711500



00711800

interchangeable with IVECO 500302935

Specifications Overview

Voltage: 12V/24V

Ingress Protection: IP69K

Applications

- IVECO Eurocargo
- IVECO Daily

Web Resources

Download technical resources at:
littelfuse.com/plungerswitches

Ordering Information

PART NUMBER	MATERIAL BODY	TYPE	LOAD WATT	CONTACT MATERIAL	USE IN PRESSURE	NUT
00711500	Steel	Normally Closed	3 watt lamp	silver-plated	12,5 bar	22
00711800	Steel	Normally Closed	3 watt lamp	silver-plated	12,5 bar	22
00712200	Steel	Normally Closed	3 watt lamp	silver-plated	12,5 bar	22
00713100	Steel	Normally Closed	3 watt lamp	silver-plated	-	22
00713200	Steel	Normally Closed	2x21 watt lamp	silver-plated	-	22
00713300	Steel	Normally Closed	3 watt lamp	silver-plated	-	27
00713400	Steel	Normally Closed	3 watt lamp	silver-plated	-	27
00713500	Steel	Normally Closed	3 watt lamp	silver-plated	-	27

for ADR



00712200

interchangeable with IVECO 504098545



00713100



00713300

interchangeable with IVECO 500376960

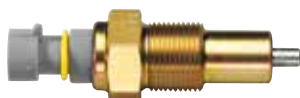


00713200

interchangeable with IVECO 500335678



00713500



00713400

interchangeable with IVECO 500376961

Description

The mechanical switches signal many different situations that may occur on commercial vehicles: differential block, low gears brake failure, reduced gears, handbrake failure, etc. Mechanical switches work both with 12V and with 24V; available are versions with contacts normally open or contacts normally closed, and black seal connector IP 67/CEI EN 60529.

Features and Benefits

- All the mechanical switches work both with 12V and with 24V
- Black seal connector IP 67/CEI EN 60529.
- Some versions are suitable for use under pressure conditions
- Silver plated contacts
- The superseal connector is protected with a rubber cap to prevent dirt intrusion before mounting

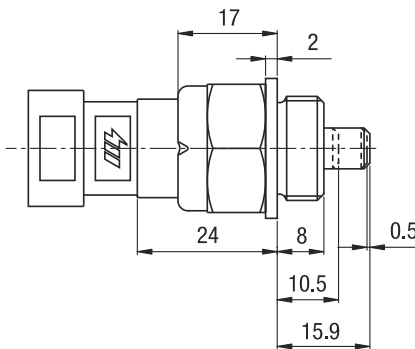
Accessories

PART NUMBER	DESCRIPTION
00712100	Seal female connector for all switches with “Superseal” male connector

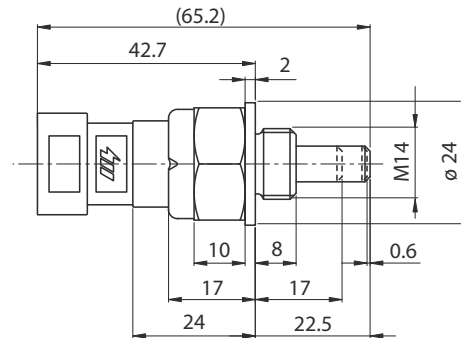


00712100

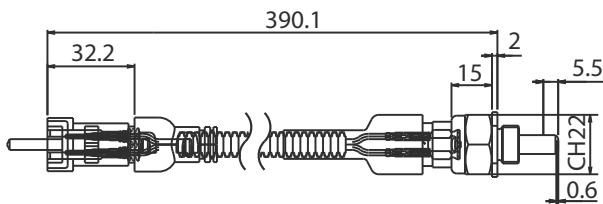
00711500 & ... PLUNGER SWITCHES



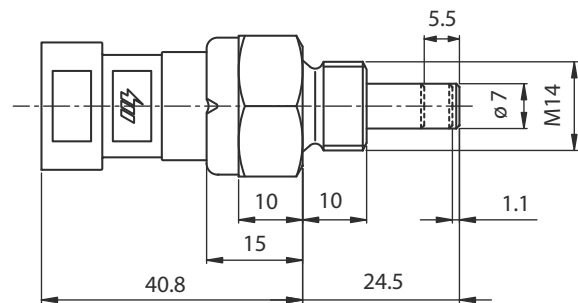
00711500



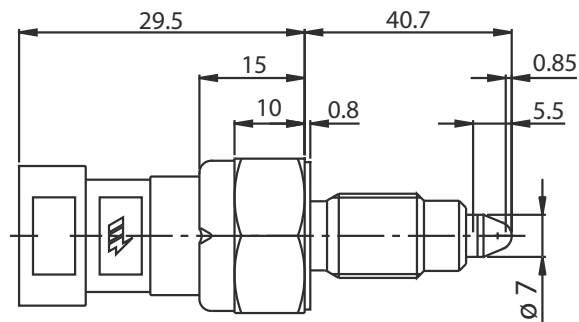
00711800



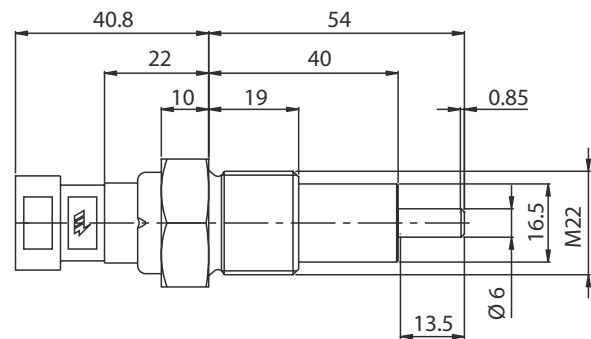
00712200



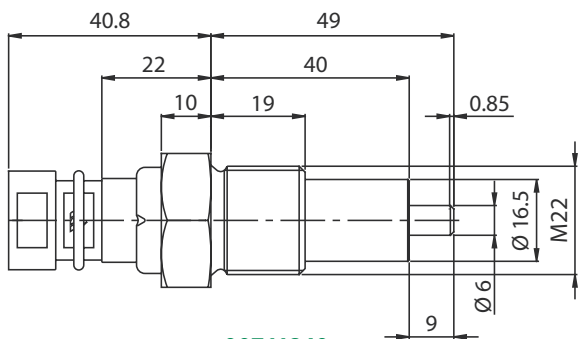
00713100



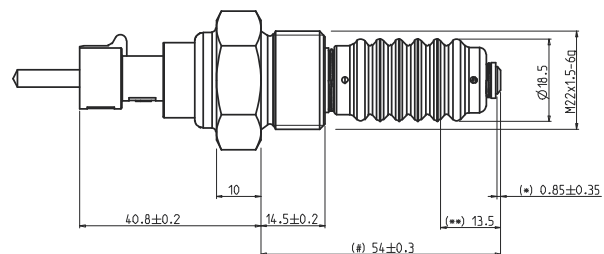
00713200



00713300



00711340



00713500