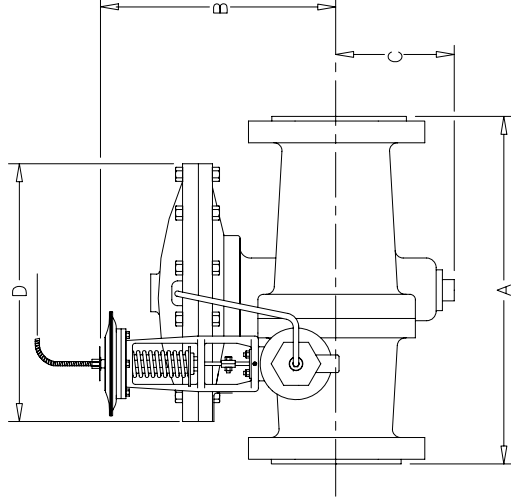
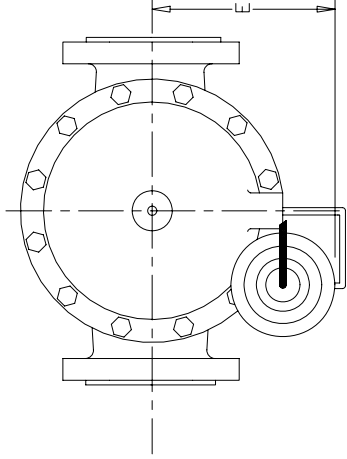


+

VALVE SIZE	ANSI FLANGE	DIMENSIONS, INCHES				WGT. LBS.	
		A	B	C	D		E
2 1/2	125-150	10.87	12.57	6.93	12.75	11.00	140
	250-300	11.50	12.57	6.93	12.75	11.00	
3	125-150	11.75	12.57	6.93	12.75	11.50	160
	250-300	12.50	12.57	6.93	12.75	11.50	
4	125-150	13.87	12.57	8.00	12.75	13.00	200
	250-300	14.50	12.57	8.00	12.75	13.00	
6	125-150	17.75	12.57	9.00	12.75	13.50	290
	250-300	18.62	12.57	9.00	12.75	13.50	



SPECIFICATION DATA

CUSTOMER _____
 ORDER No. _____ SERIAL No. _____
 TAG No. _____
 VALVE TYPE _____ QTY. _____
 BODY _____
 END CONN. _____
 INLET PRESS. _____ MAX. Δ P _____
 TEMP. RANGE _____ SET AT _____
 VALVE ACTION: RISE IN TEMPERATURE TO OPEN CLOSE
 VALVE SEAT _____ Cv _____
 CAPILLARY LENGTH _____ BULB _____
 MISC. _____
 CERTIFIED _____ DATE _____



RICHARDS INDUSTRIES
 CINCINNATI, OHIO
 U.S.A.

VALVE GROUP

FN: MK87-6

2.5-6" MARK 87

EXTERNAL PILOT OPERATED TEMPERATURE REGULATOR

DRAWN BY

JLA

DATE

6/4/96

CHECKED BY

DATE

MK87

2 1/2-6"

+