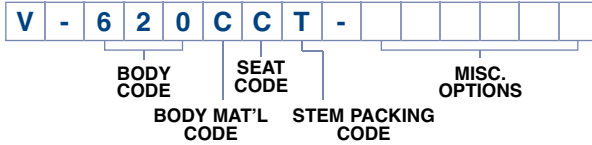


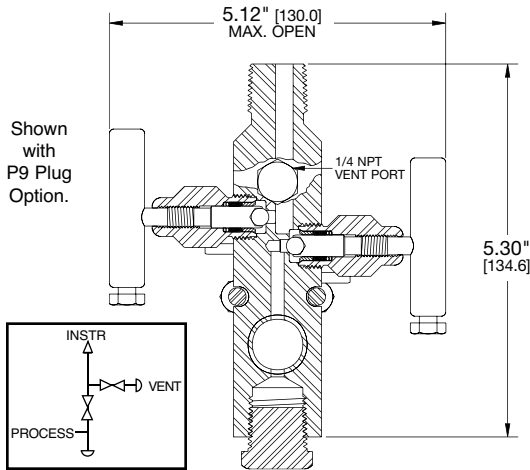
Block & Bleed Valves ~ Hard Seat

ORIFICE

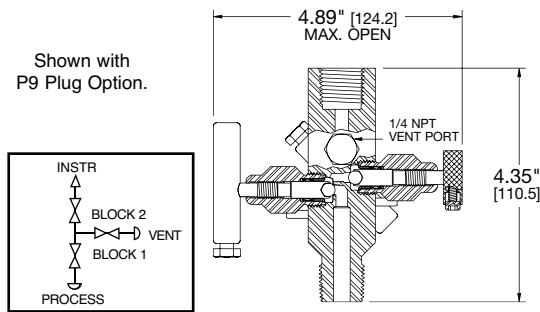
.187"



V-620



V-690



MATERIALS OF CONSTRUCTION

PART DESCRIPTION	CARBON STEEL	
	ASTM A108 CS	316 SS
Body and Bonnet	ASTM A108 CS	ASTM A479-316 SS
Stem	ASTM A479-316 SS	ASTM A479-316 SS
Seal Retainer	ASTM A479-316 SS	ASTM A479-316 SS
Handle Assembly	ASTM A108 CS	ASTM A581 18-8 300 SS

- PGI Carbon Steel Products are Alkaline Zinc plated for corrosion prevention.
- PGI 316 SS Products meet the requirements of NACE MR0175/ISO 15156-36.
- 100% Pressure Tested
- Carbon Steel Weld End Connection Bodies are AISI 1018

MAX Cv RATINGS

ORIFICE SIZE	BODY STYLE
.187"	Straight
	.53

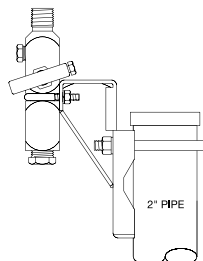
Approximate Valve Weight: 2.50 lbs [1.13 kg] each

ORDERING INFORMATION

PART NO.	CONNECTIONS		BODY & BONNET	SEAT & PACKING
	INLET	OUTLET		
.187" Orifice				
V-570CCT	1/2" MNPT	x 1/2" FNPT	Carbon Steel	Carbide Ball Seat
V-570SCT			316 SS	
V-626CCT	1/2" FNPT	x 1/2" FNPT	Carbon Steel	Teflon® Pressure-Core® Stem Seal
V-626SCT			316 SS	
V-572CCT	3/4" MNPT	x 1/2" FNPT	Carbon Steel	Max Pressure 10,000 PSI @ 200°F
V-572SCT			316 SS	
V-612CCT	1/2" MNPT	x 1/2" MNPT	Carbon Steel	
V-612SCT			316 SS	
V-614CCT	1/2" FNPT	x 1/2" MNPT	Carbon Steel	
V-614SCT			316 SS	
V-616SCT	3/4" MNPT	x 1/2" MNPT	316 SS	
V-620CCT*	(2)1/2" FNPT	x (1)1/2" MNPT	Carbon Steel	
V-620SCT*			316 SS	
V-700SCT	1/2" MNPT	x 1/2" MNPT Stabilized Design	316 SS	
Double Block and Bleed				
V-690CCT	1/2" MNPT	x 1/2" FNPT	Carbon Steel	
V-690SCT			316 SS	
V-692CCT	3/4" MNPT	x 1/2" FNPT	Carbon Steel	
V-692SCT			316 SS	
V-905CCT	3/4" MNPT	x 1/2" FNPT	Carbon Steel	
V-905SCT		Longbody	316 SS	

* V-620 Bracket Mounted Block and Bleed Valve Includes mounting U-Bolt as standard. V-620 Bracket options shown at bottom of page.

OPTION CODE	DESCRIPTION
Body Material Options	
P	ASTM A105 CF Carbon Steel <i>For Use with Grafoil® Packed Bonnets</i>
Seat Material Options	
R	Ceramic Seat
6	316 SS Ball Seat
Stem Packing Material Options	
T	Teflon® Pressure-Core® Stem Seal
G	Low-Torque™ Grafoil® Packed
J	Teflon® Pressure-Core® Stem Seal (Low Temperature -50°F)
Miscellaneous Options See Complete List on Page 24	
AM7	Male Pipe Socket Weld - Male Inlet Only
P9	Hex Head Pipe Plug in Vent/Test Port
W	Safety Bonnet Lock Plate (Lock Pin Standard)
W1	316 SS Tag
WK	Paper Tag
XL	Clean for Critical Service (Oxygen or Chlorine)



OPTION CODE	DESCRIPTION
V-620 Bracket Options	
VCH	AK-002-10-HD Versa-Mount Heavy Duty Manifold Bracket - Carbon Steel
VSH	AK-002-C0-HD Versa-Mount Heavy Duty Manifold Bracket - 316 SS
VC	AK-002-10 Versa-Mount Manifold Bracket - Carbon Steel
VS	AK-002-C0 Versa-Mount Manifold Bracket - 316 SS