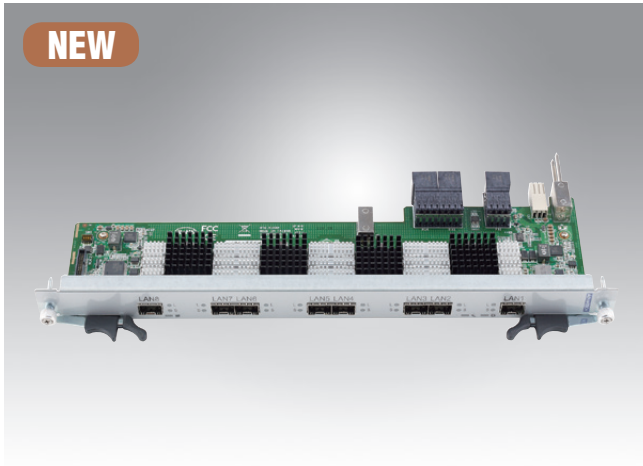


RTM-5106

Octal 10GbE RTM for MIC-5333

NEW



Features

- PICMG 3.0 Rev.3 and IRTM.0 compliant
- Supports eight SFP+ ports (SR/LR/ER transceivers)
- Four Intel 82599ES 10GbE Controllers with balanced IO
- Fully managed RTM with HPM.1 support

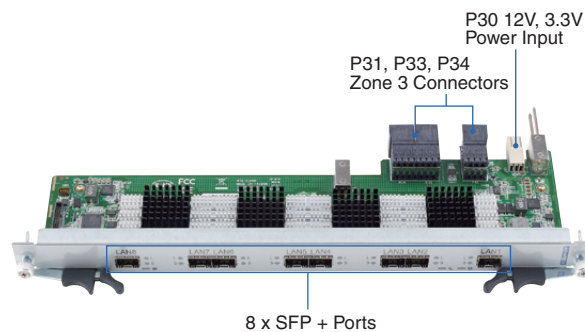


AdvancedTCA®

Introduction

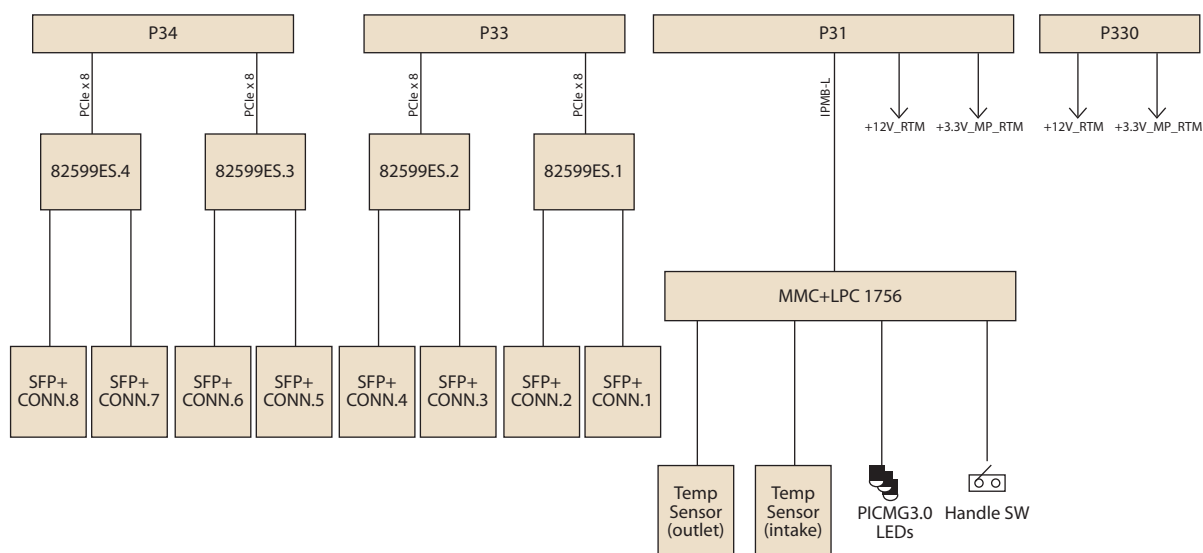
The RTM-5106 is a single slot ATCA rear transition module for I/O extension of Advantech ATCA CPU blades. It contains 4 Intel i82599ES (Niantic) controllers and sites for 8 SFP+ ports. The RTM-5106 will provide additional 10GE ports for external access and connectivity to the mating front blade. Two i82599ES devices connect to each of the CPU sockets on the front blade for balanced IO and maximum platform throughput. This allows up to 80Gbps of Ethernet traffic to be terminated on the CPU blade without loading the AdvancedTCAR backplane fabric. The SFP+ ports are using EMI cages, which are compliant with the Small Form-Factor Pluggable (SFP) Multi-Source Agreement (MSA) and are designed to host SR, LR and ER transceivers.

Please contact Advantech for a list of verified transceiver modules.



Specifications

Rear Panel Interface	SFP+	8 x SFP+ ports	
IPMI	MMC Controller	Cortex M LPC1756	
	IPMI	Advantech IPMI Core, compliant to IRTM.0 and IPMI 1.5/2.0	
Zone 3	RTM	Advantech common RTM interface Type II	
	Interface	4 PCIe x8, IPMB-L	
Power Requirements	Max. Power Consumption	25.9W (+12V and +3.3V)	
Physical Characteristics	Dimensions (W x D)	6HP, 322.25 x 94 mm (PCB size)	
	Weight	1.15 kg	
Environment	Operating	Non-operating	
	Temperature	0 ~ 55° C (32 ~ 131° F)	- 40 ~ 70° C (-40 ~ 158° F)
	Humidity	5 to 93% @ 40° C (non condensing)	95% @ 40° C (non-condensing)
	Shock	3G, half-sine 11ms, each axis	18G, half-sine 11ms, each axis
	Vibration	5 - 200 Hz, 0.2G, each axis	5 Hz to 20 Hz @ 1 m2/s3 (0.01 g2 /Hz) (flat) 20 Hz to 200 Hz @ -3 dB/oct (slope down)
Compliance	Environment	ETSI EN300019-2-1 Class1.2, EN300019-2-2 Class 2.3, ETSI EN300019-2-3 Class 3.1E	
	PICMG	3.0 R3.0, HPM.1, IRTM.0	
	EMC	FCC47 CFR Part15, Class A, CE Mark (EN55022/EN55024/EN300386) Designed to meet GR1089-CORE	



Ordering Information

Model number	Configuration
RTM-5106S00E	Rear Transition Module with Eight SFP+ Ports

Related Products

Model Name	Configuration
MIC-5333 series	ATCA CPU blade with dual Intel® Xeon CPU