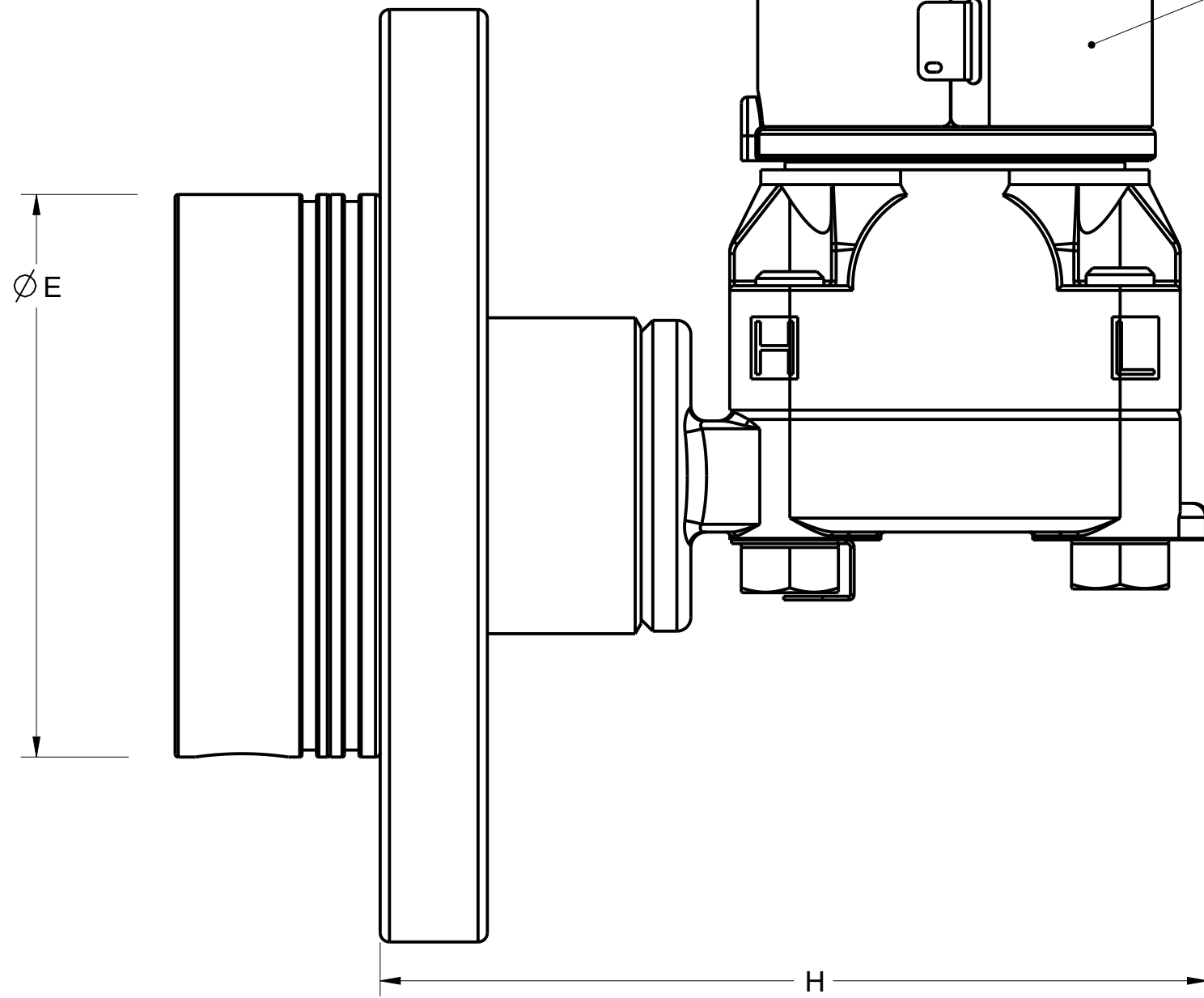
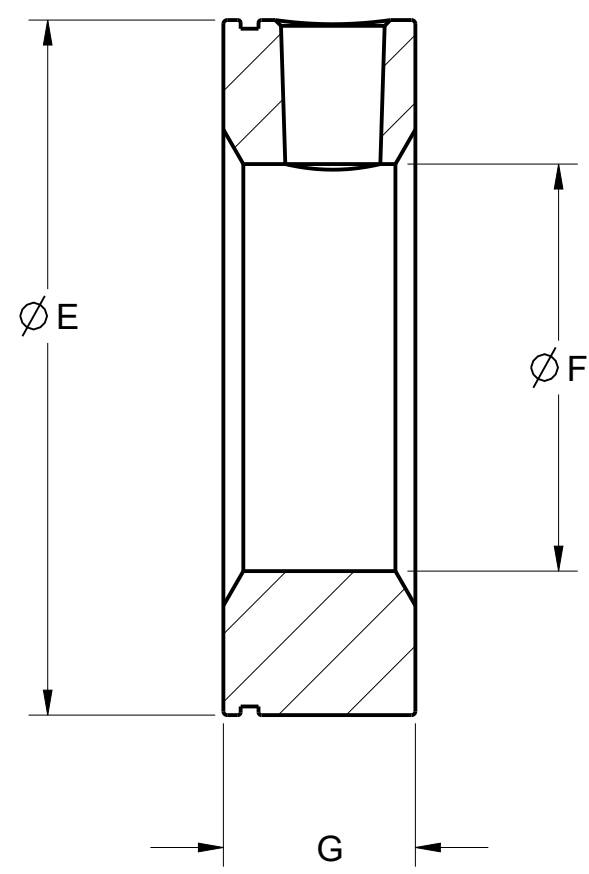
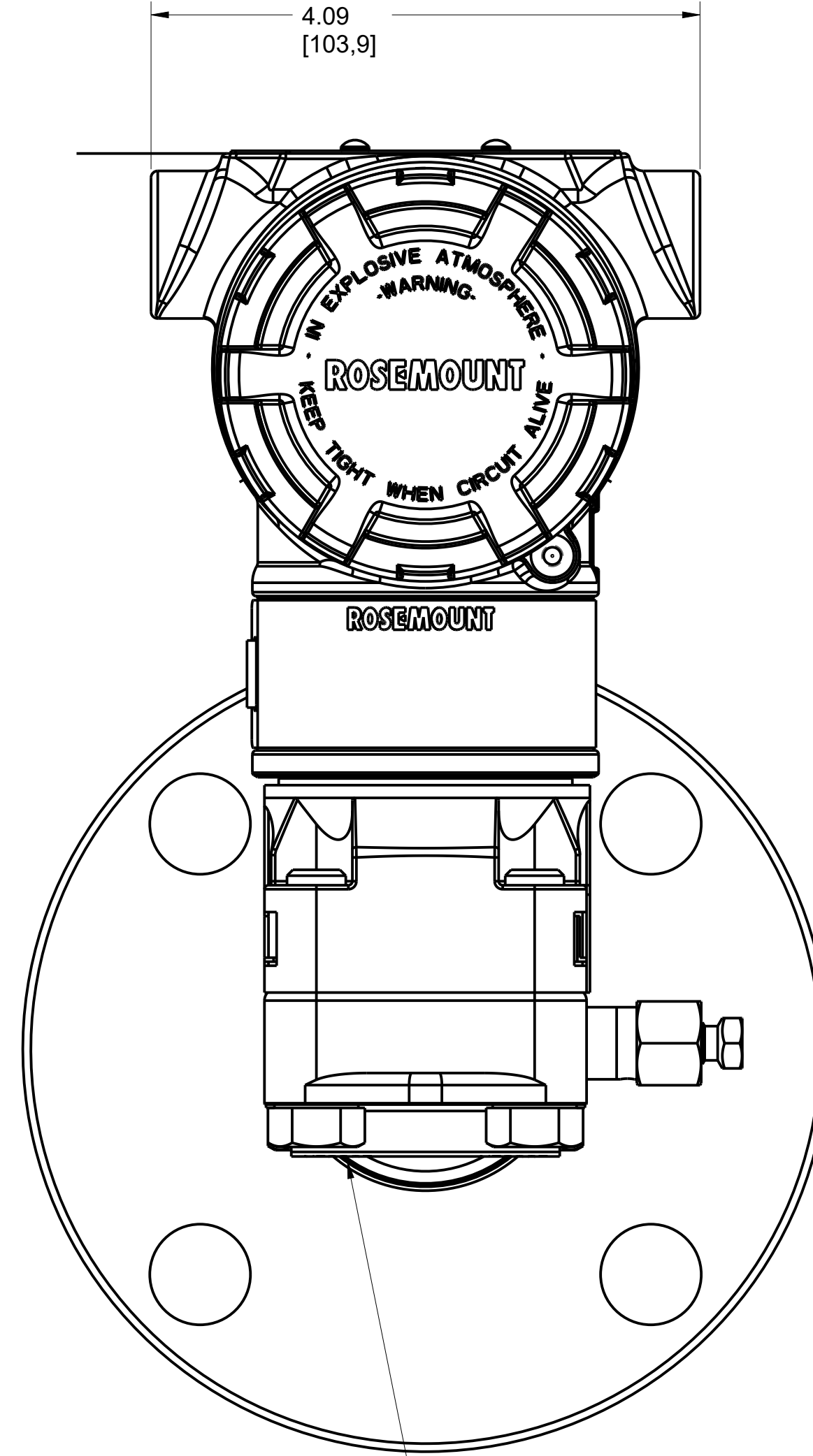
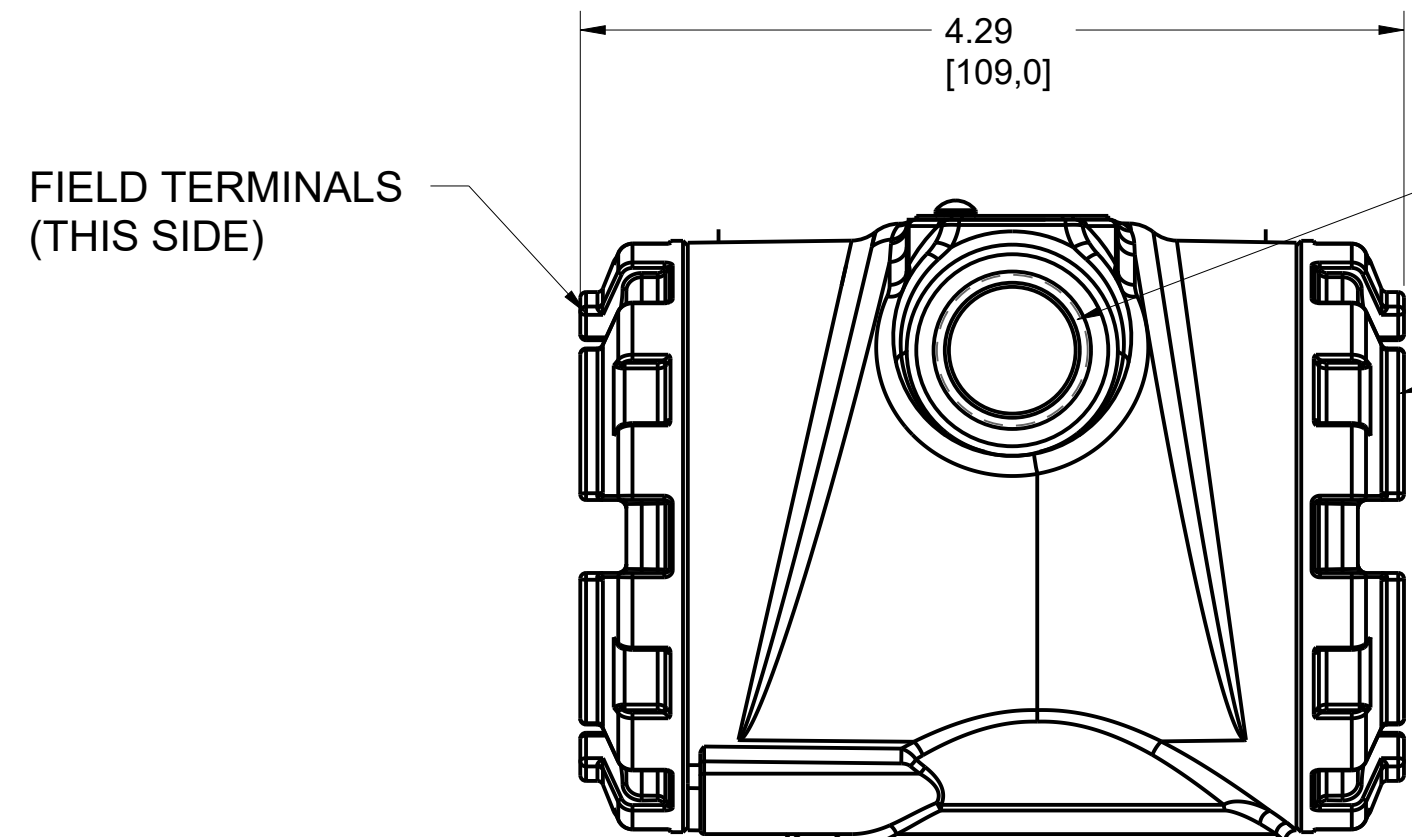
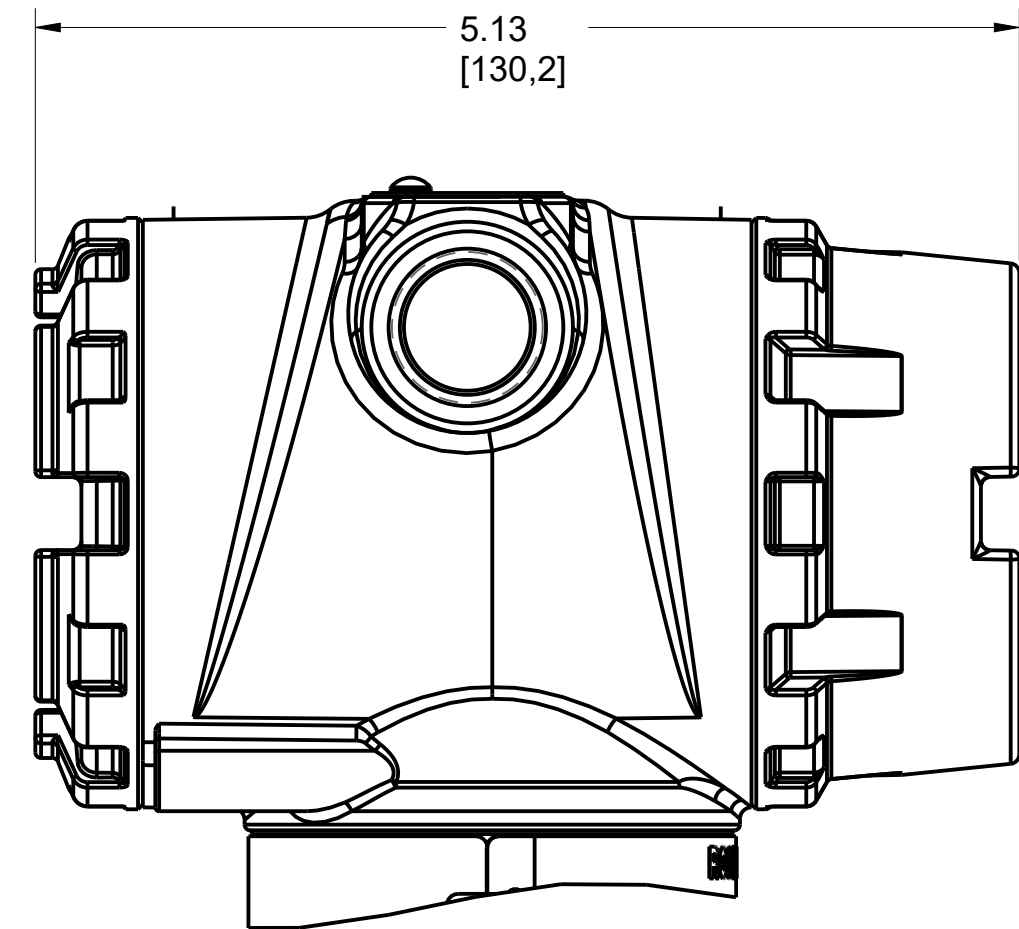


ROSEMOUNT 3051L LIQUID LEVEL PRESSURE TRANSMITTER COPLANER FLANGE PROCESS CONFIGURATIONS

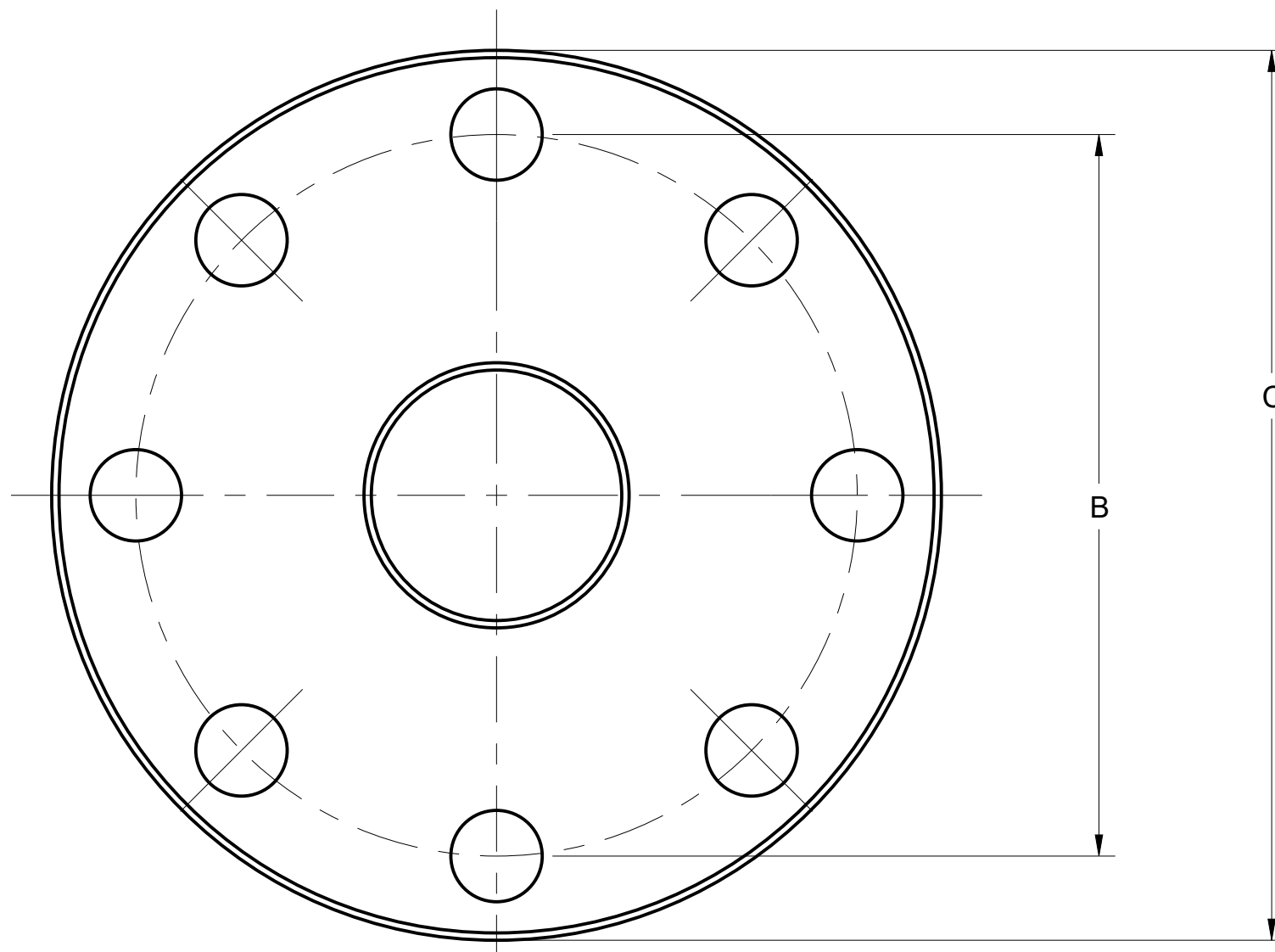
REVISION TABLE			
REVISION	ECO NO.	APP'D	DATE
AD	RTC1072358	N. MEIDL	2/25/19
DESCRIPTION			
ELIMINATE LOW POWER TRANSMITTER			

SHOWN WITH OPTIONAL DIGITAL DISPLAY

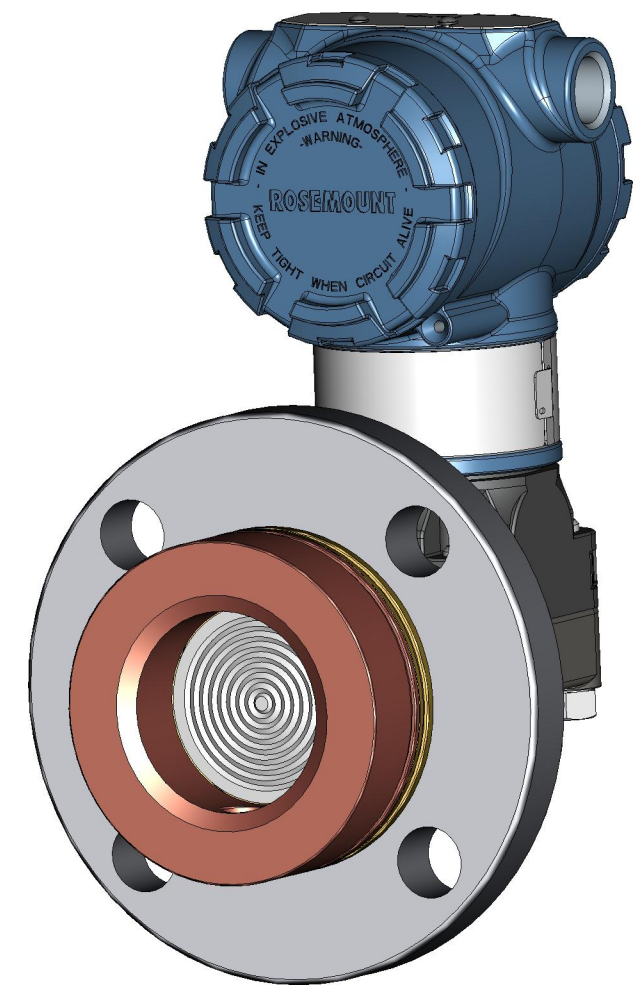
OUTPUT CODE (A), (F), (M), AND (W)
ALUMINUM/SST HOUSING



MOUNTING FLANGE



1/4-18 NPT PROCESS CONNECTION OR
1/2-18 NPT PROCESS CONNECTION w/ OPTIONAL FLANGE ADAPTERS
(DIFFERENTIAL CONFIGURATION ONLY)



©2015 ROSEMOUNT INC.
ROSEMOUNT INC. CERTIFIES
THIS DRAWING IS IN
ACCORDANCE WITH
ROSEMOUNT ENGINEERING
SPECIFICATIONS.
UNIT NOTES IN INCHES (mm).
REFERENCE ROSEMOUNT
PRODUCT SPECIFICATIONS.
CLICK HERE

3RD ANGLE SIZE D SCALE NTS

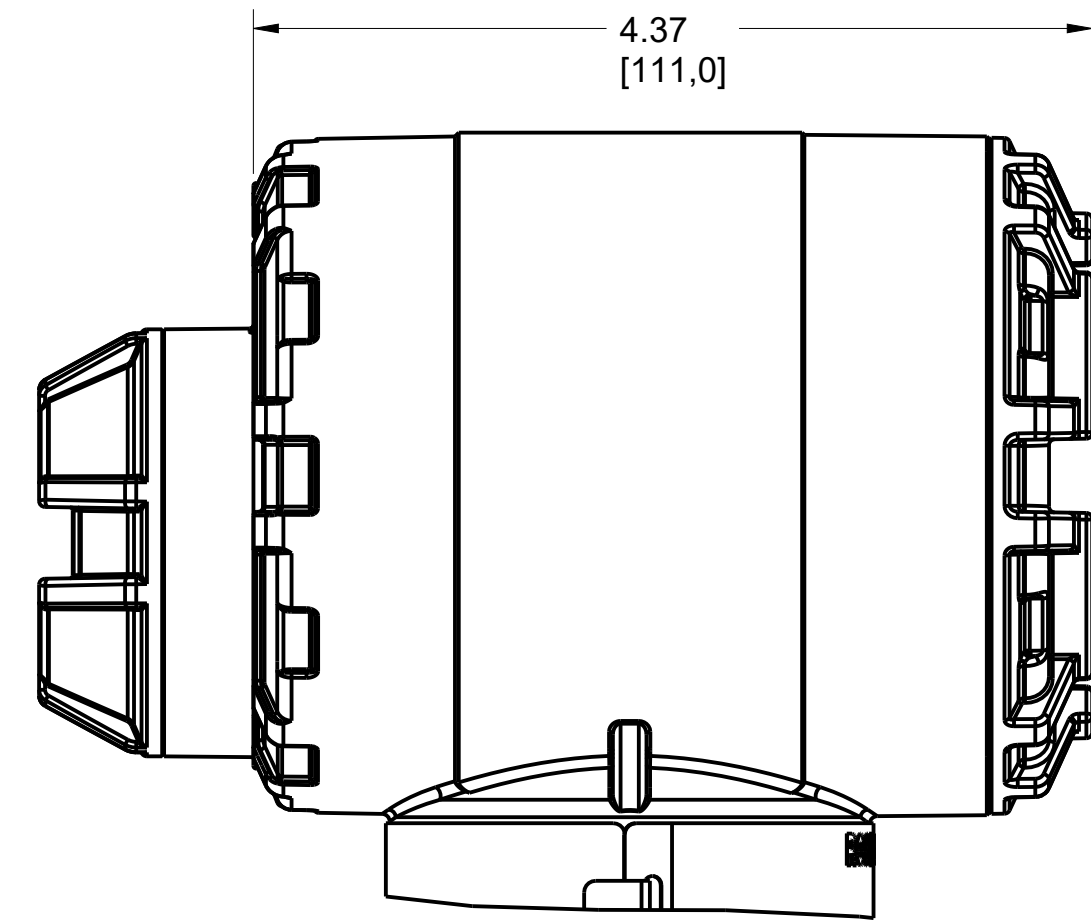
EMERSON

ROSEMOUNT 3051L LIQUID LEVEL
TYPE I DRAWING

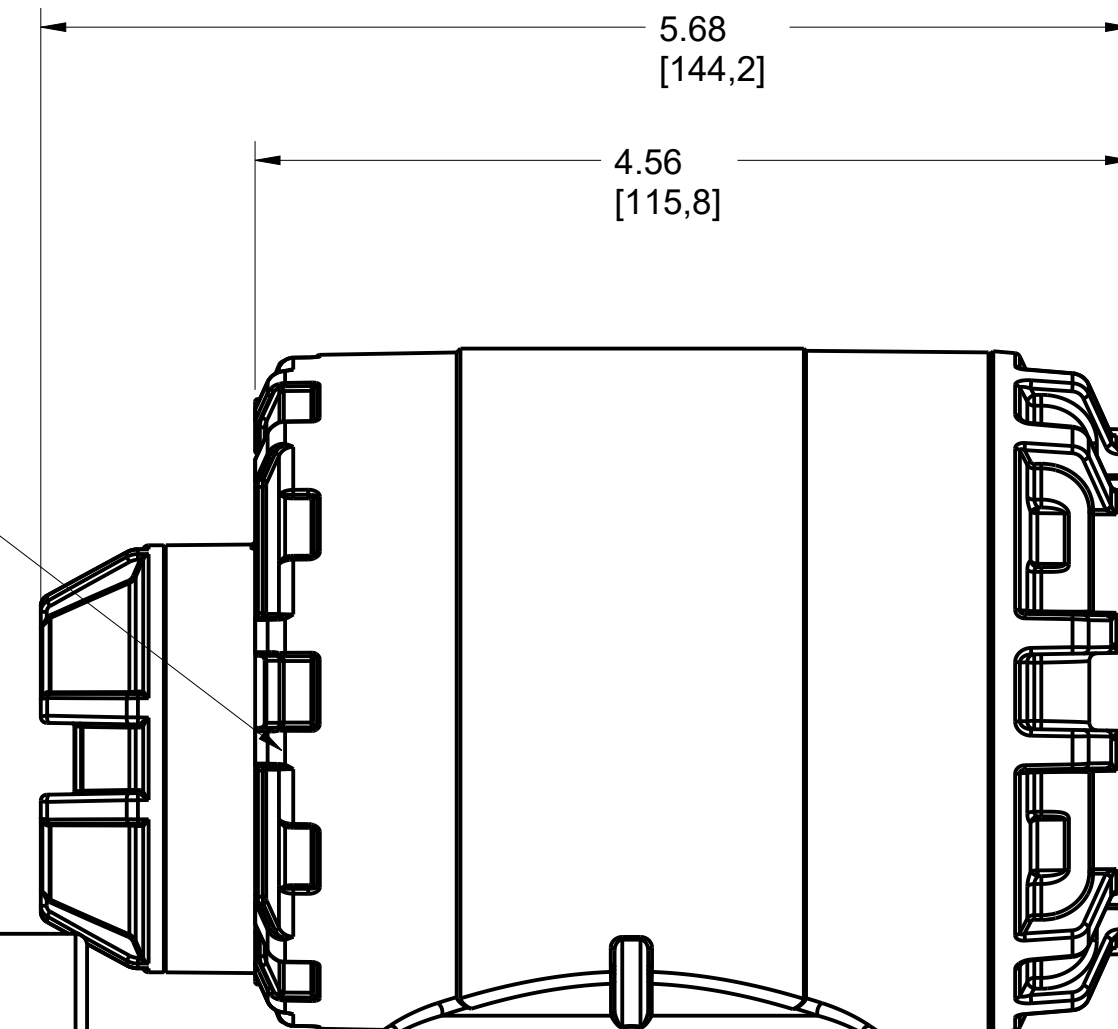
DR. J. ARMSTRONG	2/6/19	DRAWING NO.	
APP'D N. MEIDL	2/6/19		03031-1030
CAD MAINTAINED, (PROE)			SHEET 1 OF 3

ROSEMOUNT 3051L LIQUID LEVEL PRESSURE TRANSMITTER COPLANER FLANGE PROCESS CONFIGURATIONS

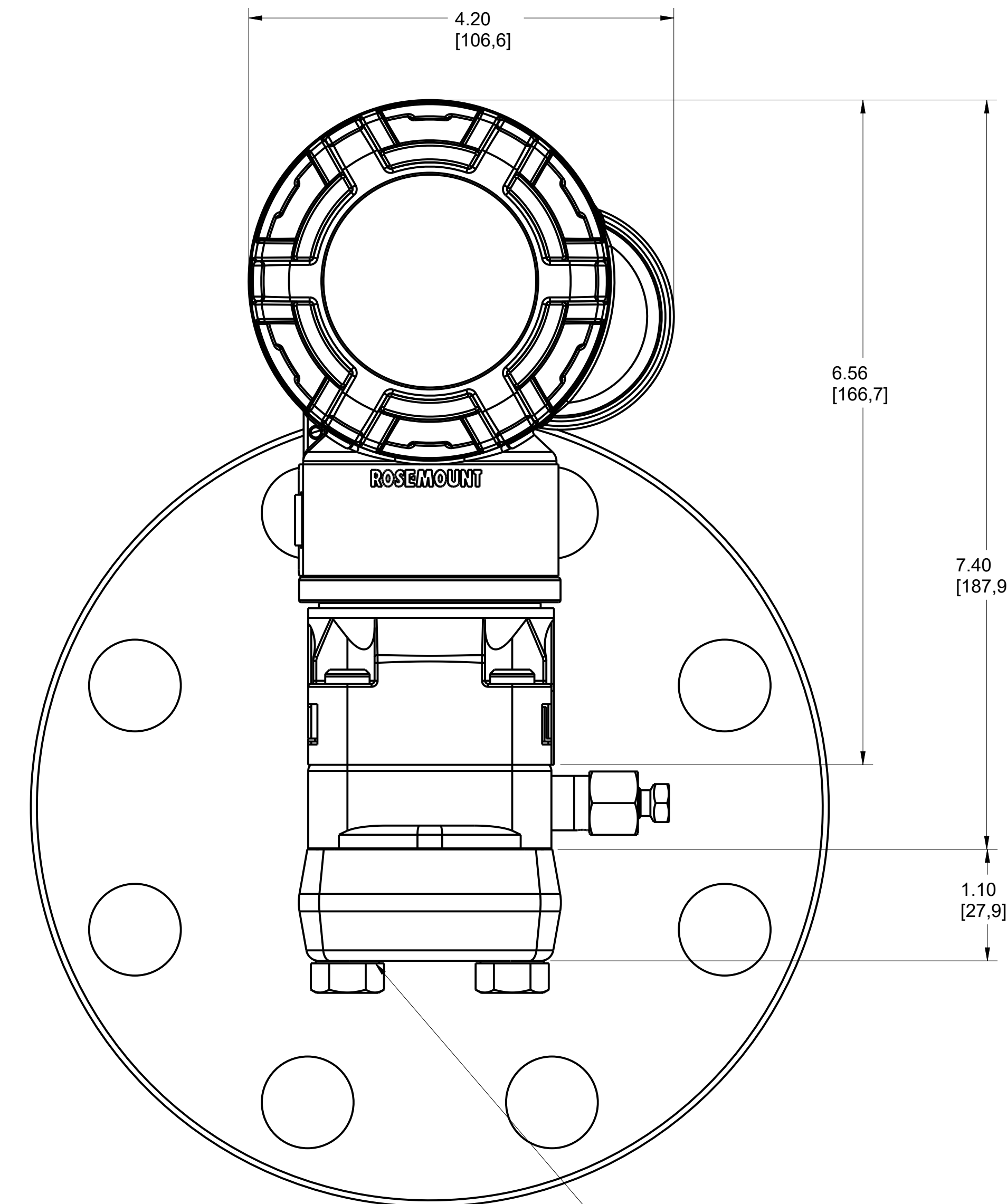
OUTPUT CODE X
POLYMER HOUSING



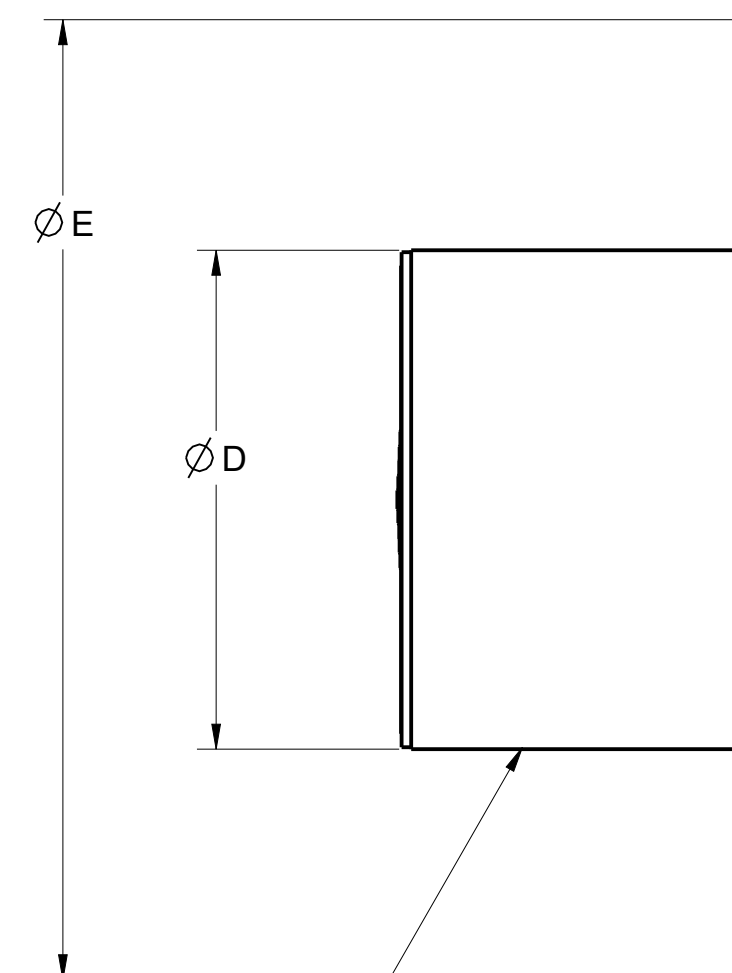
FIELD TERMINALS
(THIS SIDE)



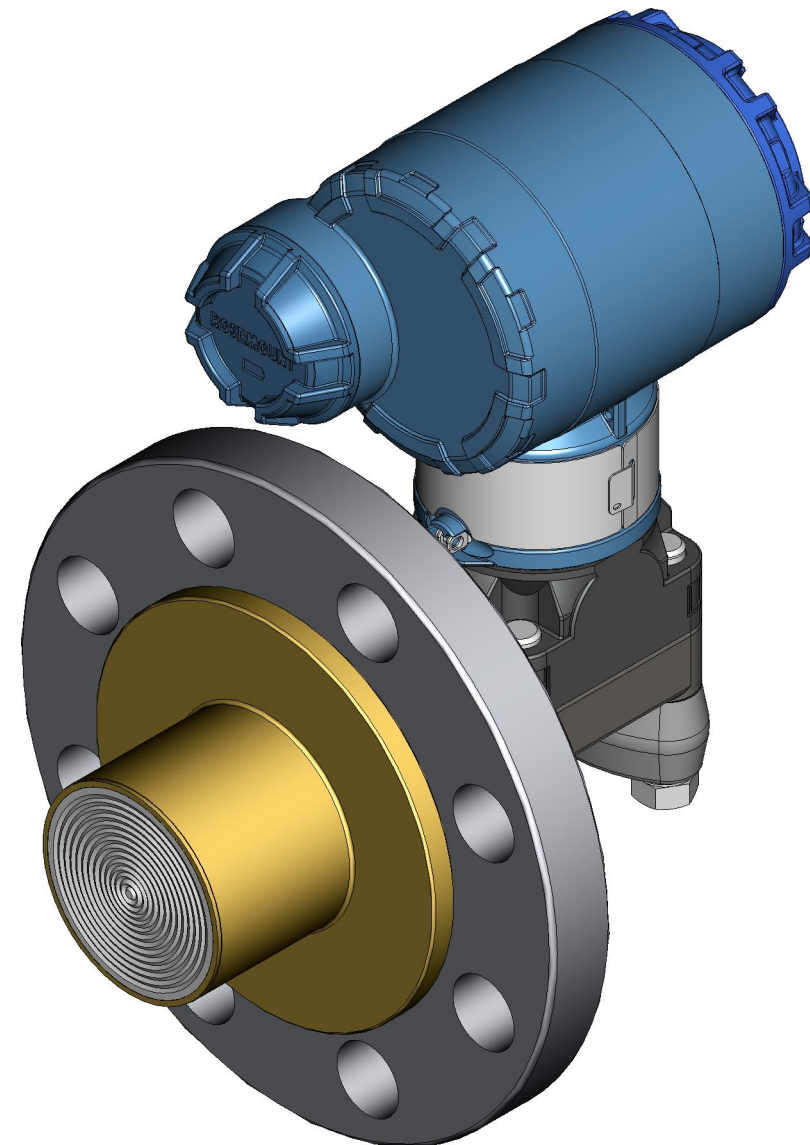
SHOWN WITH OPTIONAL DIGITAL DISPLAY



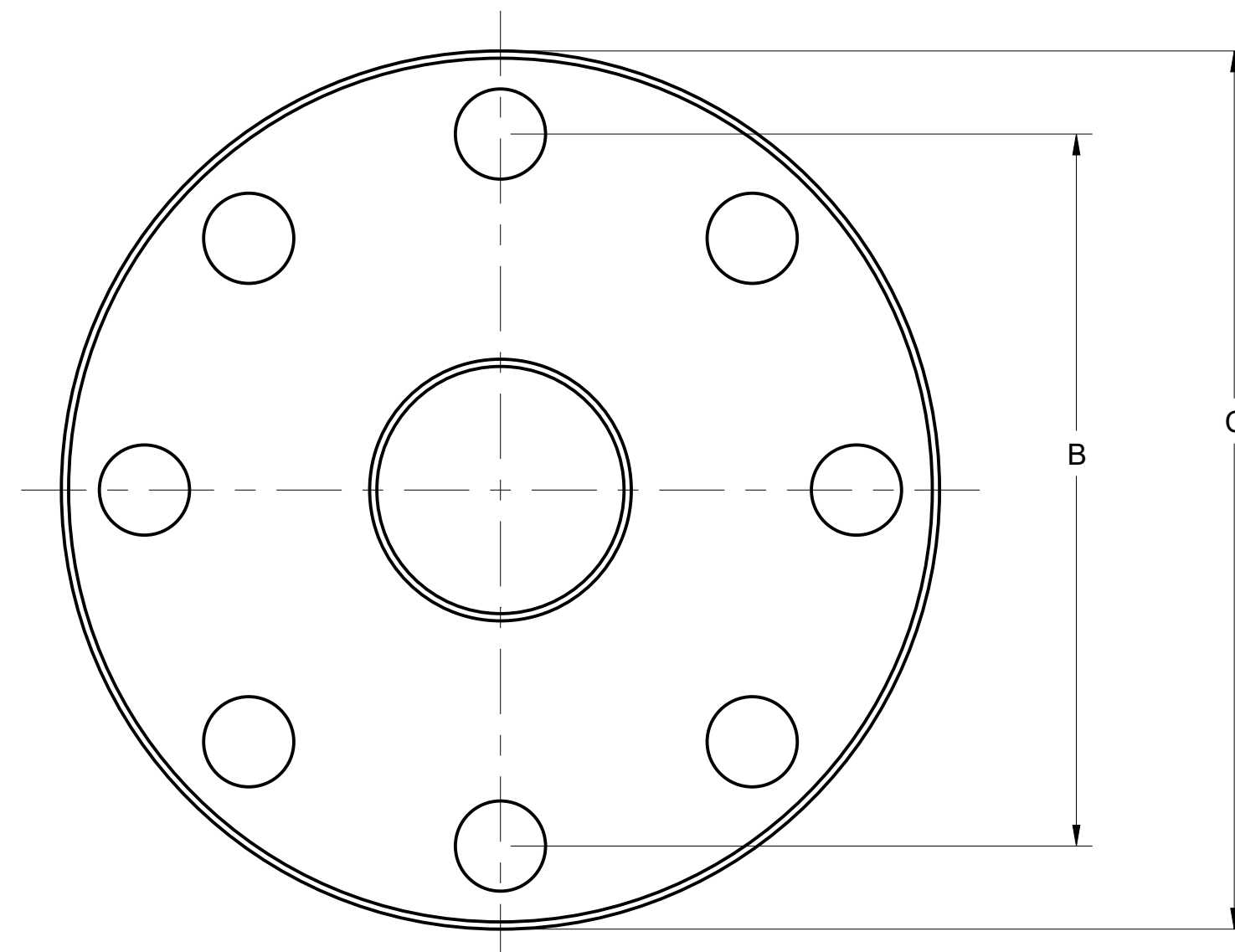
FLANGE ADAPTERS
(OPTIONAL)



2, 4, 6" EXTENSION
(ONLY AVAILABLE WITH 3 AND 4" DN80, DN100 FLANGE
CONFIGURATION)



1/4-18 NPT PROCESS CONNECTION OR
1/2-18 NPT PROCESS CONNECTION w/ OPTIONAL FLANGE ADAPTERS
(DIFFERENTIAL CONFIGURATION ONLY)



©2015 ROSEMOUNT INC. ROSEMOUNT INC. CERTIFIES THIS DRAWING TO THE REQUIREMENTS OF THE AMERICAN SOCIETY OF MECHANICAL ENGINEERS (ASME) Y14.5-2009 IN ACCORDANCE WITH THE ROSEMOUNT ROSEMOUNT ENGINEERING SPECIFICATIONS. UNIT NOTES IN INCHES (mm). REFERENCE ROSEMOUNT PRODUCT SPECIFICATIONS. CLICK HERE	3RD ANGLE 	SIZE D	SCALE NTS
	ROSEMOUNT 3051L LIQUID LEVEL TYPE I DRAWING		
	DR. J. ARMSTRONG APP'D	2/6/19 N. MEIDL	DRAWING NO. 03031-1030

1 2 3 4 5 6 7 8 9 10 11 12 13 14 15 16

A
B
C
D
E
F
G
H
J
K
L
M

A
B
C
D
E
F
G
H
J
K
L
M

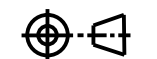
TABLE 1

CLASS	PIPE SIZE	FLANGE THICKNESS	BOLT CIRCLE DIAMETER B	OUTSIDE DIAMETER C	NO. OF BOLTS	BOLT HOLE DIAMETER	EXTENSION DIAMETER D	O.D. GASKET SURFACE E
ASME B16.5 (ANSI) 150	2 (51)	0.69 (18)	4.75 (121)	6.0 (152)	4	0.75 (19)	NA	3.6 (92)
	3 (76)	0.88 (22)	6.0 (152)	7.5 (191)	4	0.75 (19)	2.58 (66)	5.0 (127)
	4 (102)	0.88 (22)	7.5 (191)	9.0 (229)	8	0.75 (19)	3.5 (89)	6.2 (158)
ASME B16.5 (ANSI) 300	2 (51)	0.82 (21)	5.0 (127)	6.5 (165)	8	0.75 (19)	NA	3.6 (92)
	3 (76)	1.06 (27)	6.62 (168)	8.25 (210)	8	0.88 (22)	2.58 (66)	5.0 (127)
	4 (102)	1.19 (30)	7.88 (200)	10.0 (254)	8	0.88 (22)	3.5 (89)	6.2 (158)
ASME B16.5 (ANSI) 600	2 (51)	1.00 (25)	5.0 (127)	6.5 (165)	8	0.75 (19)	NA	3.6 (92)
	3 (76)	1.25 (32)	6.62 (168)	8.25 (210)	8	0.88 (22)	2.58 (66)	5.0 (127)
	4 (102)	1.19 (30)	7.88 (200)	10.0 (254)	8	0.88 (22)	3.5 (89)	6.2 (158)
DIN 2501 PN 10-40	DN 50	20 mm	125 mm	165 mm	4	18 mm	NA	4.0 (102)
DIN 2501 PN 25/40	DN 80	24 mm	160 mm	200 mm	8	18 mm	66 mm	5.4 (138)
	DN 100	24 mm	190 mm	235 mm	8	22 mm	89 mm	6.2 (158)
DIN 2501 PN 10/16	DN 100	20 mm	180 mm	220 mm	8	18 mm	89 mm	6.2 (158)

TABLE 2

CLASS	PIPE SIZE	INNER DIAMETER F	LOWER HOUSING G 1/4 in. NPT	LOWER HOUSING G 1/2 in. NPT	H
ASME B16.5 (ANSI) 150	2 (51)	2.12 (54)	0.97 (25)	1.31 (33)	5.65 (143)
	3 (76)	3.6 (91)	0.97 (25)	1.31 (33)	5.65 (143)
	4 (102)	3.6 (91)	0.97 (25)	1.31 (33)	5.65 (143)
ASME B16.5 (ANSI) 300	2 (51)	2.12 (54)	0.97 (25)	1.31 (33)	5.65 (143)
	3 (76)	3.6 (91)	0.97 (25)	1.31 (33)	5.65 (143)
	4 (102)	3.6 (91)	0.97 (25)	1.31 (33)	5.65 (143)
ASME B16.5 (ANSI) 600	2 (51)	2.12 (54)	0.97 (25)	1.31 (33)	7.65 (194)
	3 (76)	3.6 (91)	0.97 (25)	1.31 (33)	7.65 (194)
	4 (102)	3.6 (91)	0.97 (25)	1.31 (33)	7.65 (194)
DIN 2501 PN 10-40	DN 50	2.4 (61)	0.97 (25)	1.31 (33)	5.65 (143)
DIN 2501 PN 25-40	DN 80	3.6 (91)	0.97 (25)	1.31 (33)	5.65 (143)
	DN 100	3.6 (91)	0.97 (25)	1.31 (33)	5.65 (143)
DIN 2501 PN 10/16	DN 100	3.6 (91)	0.97 (25)	1.31 (33)	5.65 (143)

©2015 ROSEMOUNT INC.
ROSEMOUNT INC. CERTIFIES
THIS DRAWING TO BE IN
ACCORDANCE WITH
ROSEMOUNT ENGINEERING
SPECIFICATIONS.
UNIT NOTES IN INCHES (mm).
REFERENCE ROSEMOUNT
PRODUCT SPECIFICATIONS.
CLICK HERE

3RD ANGLE  SIZE D SCALE NTS

EMERSON
ROSEMOUNT 3051L LIQUID LEVEL
TYPE I DRAWING

DR. J. ARMSTRONG 2/6/19 DRAWING NO. 03031-1030
APPD N. MEIDL 2/6/19
CAD MAINTAINED, (PROE) SHEET 3 OF 3