

# 4690 series

## Turbidity sensors



Wiper module upgrade

**Measurement made easy**

4690 series  
turbidity sensors

## 1 Introduction

This publication details the wiper module upgrade procedure for 4690 series turbidity sensors. The procedure must be carried out by a trained technician.

The contents of the wiper module upgrade kit are shown in Table 1.

Description	Part No.	Qty.
Wiper module	7998 140	1
Wiper blade (pack of 4)	7998 023	1
Cable gland	0216 580	1
This publication – Wiper module upgrade	INF11/064-EN	1

Table 1 Wiper module upgrade kit 7998 022

### Tools required

- Flat-bladed screwdriver

## 2 For more information

Further information is available from:

[www.abb.com/analytical](http://www.abb.com/analytical)

or by scanning these codes:



Sales



Service

### 3 Fitting wiper module

1. Isolate the turbidity sensor from the power supply and sample supply.
2. Referring to Fig. 3.1:
  - a. Remove wiper plug / module retaining collar (1) and retain.
  - b. Remove wiper plug (2).
  - c. Carefully remove the wiper module (3) from its packaging.
  - d. Ensure O-ring (4) is undamaged and located correctly in wiper module groove.
  - e. Ensure wiper blade (5) is undamaged and fitted correctly to the wiper arm (6).
  - f. Carefully insert wiper module (3) into cell body, ensuring cut-out (7) in wiper module flange engages correctly with locating lug on cell body.
  - g. Secure wiper module to cell body with retaining collar (1), tightening retaining collar hand-tight only.

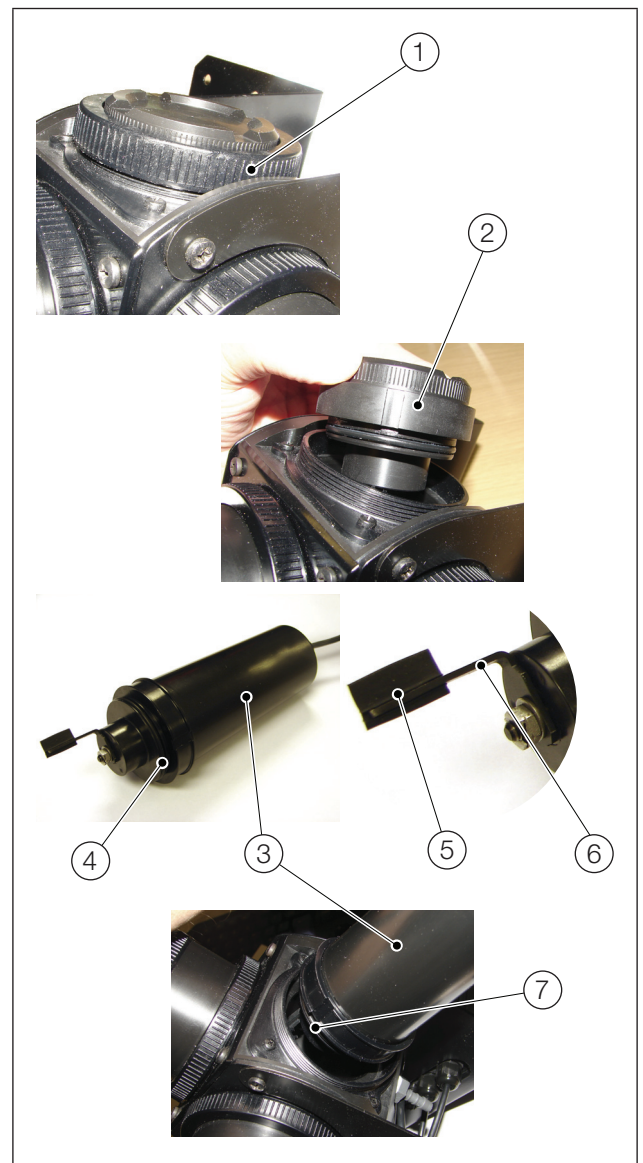


Fig. 3.1 Fitting wiper module

3. Referring to Fig. 3.2:
  - a. Release 4 captive screws (8) securing terminal box cover (9) and remove the cover.
  - b. Remove M12 blanking plug (11) and replace with cable gland (supplied).
  - c. Route wiper module cable (10) through terminal box cable gland (11).
  - d. Connect the wiper module cable to the terminal box terminals as shown.
  - e. Refit terminal box cover (9) and secure with 4 captive screws (8).

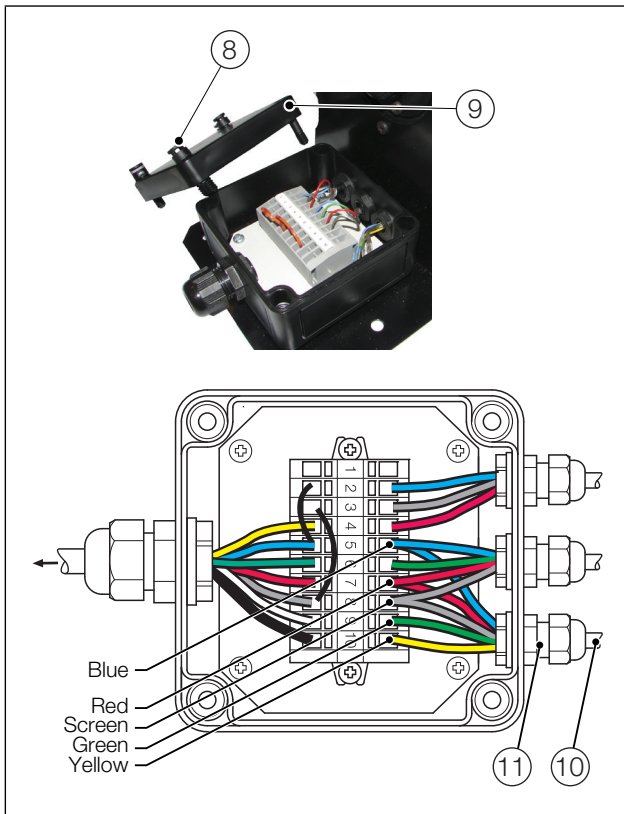


Fig. 3.2 Connecting wiper module

4. Restore the power supply to the turbidity sensor.
5. Change the sensor type in the 'Set up Parameters' page – see Section 8.3 of the User Guide (IM/4690–EN).
6. Calibrate the sensor – see Section 7 of the User Guide (IM/4690–EN).

---

**ABB Limited****Measurement & Analytics**

Oldends Lane

Stonehouse

Gloucestershire

GL10 3TA

UK

Tel: +44 (0)1453 826661

Fax: +44 (0)1453 829671

Email: [instrumentation@gb.abb.com](mailto:instrumentation@gb.abb.com)

**ABB Inc.****Measurement & Analytics**

125 E. County Line Road

Warminster

PA 18974

USA

Tel: +1 215 674 6000

Fax: +1 215 674 7183

**[abb.com/measurement](http://abb.com/measurement)**



---

We reserve the right to make technical changes or modify the contents of this document without prior notice. With regard to purchase orders, the agreed particulars shall prevail. ABB does not accept any responsibility whatsoever for potential errors or possible lack of information in this document.

We reserve all rights in this document and in the subject matter and illustrations contained therein. Any reproduction, disclosure to third parties or utilization of its contents – in whole or in parts – is forbidden without prior written consent of ABB.

© ABB 2018