



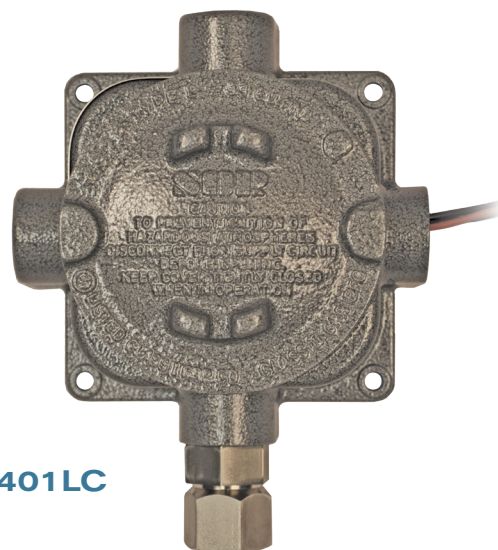
401 Bourdon Tube Pressure Switch

Form 1059

The **SOR® 401 Bourdon Tube Pressure Switch** is well suited for high pressure applications - particularly when high repeatability and narrow dead band are required. Wetted materials of 316SS provide excellent resistance to corrosive media. An integral snubber protects the pressure sensing assembly from pressure surges.

Features and Benefits

- Limited travel 316SS bourdon tube with counterbalance spring - high repeatability and narrow deadband.
- Set point easily adjusted by varying tension of counterbalance spring.
- Excellent resolution of set points.
- Rugged construction.
- Explosion proof and weathertight housings.
- Three year warranty.



401LC



401RN

Model Number System

401LC -K050-U6-C1A-RR



Select housing and adjustable range from appropriate tables below and insert designators in model number. If accessories are required, insert the designator(s) at the end of the model number.

Housing

Designator	Description
RN	Weathertight, NEMA 4X Six-place compression type terminal block is standard.
LC	Explosion proof, UL Listed Class I, Groups C, D; Class II, Groups E, F, G; Divisions 1 & 2 as an outlet box. Wire leads are standard. Right-hand electrical outlet. Copper-free aluminum (consult factory).
TA	Explosion proof, UL Listed Class I, Groups A, B, C, D; Class II, Groups E, F, G; Divisions 1 & 2 as an outlet box. Wire leads are standard. Top, left and right electrical outlets. Aluminum. Line Mounted.

Adjustable Range

Designator	Adjustable Range	Maximum Deadband	Overrange Pressure
050	1000 to 5000 psi	90 psi	6000 psi
100	2000 to 10,000 psi	180 psi	12,000 psi

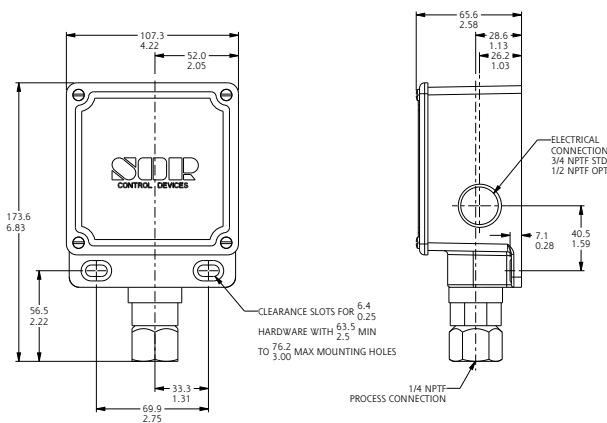
Accessories

Designator	Description
PP	Paper tag attached with plastic tie to housing.
RR	Stainless Steel tag attached with stainless steel wire to housing.
TT	Stainless steel tag permanently attached to housing.
VV	Fungicidal varnish. Exterior only.
YY	Epoxy coating. Exterior only.

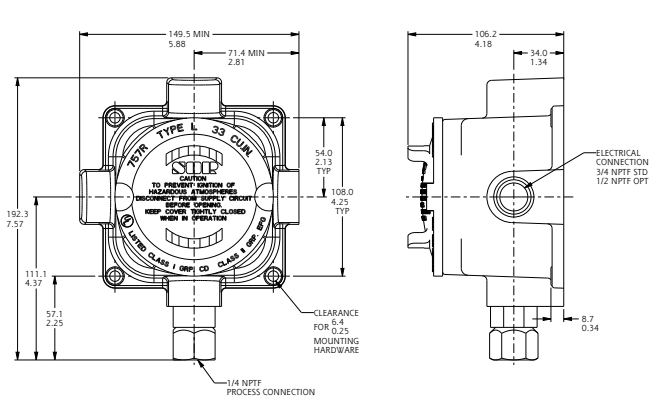
Dimensions

The dimensions shown are for reference only and are subject to change without notice. Contact the factory for certified drawings for a particular model number. All dimensions are expressed as millimeters over inches. (Linear = mm/in.)

401RN Weathertight



401LC Explosion Proof



Drawing 0090322

Drawing 0090191

Form 1059 (04.14) ©SOR Inc.