

ABB GENERAL DRIVES, ABB DRIVES FOR HVAC, ABB DRIVES FOR WATER

# ACS580..., ACH580... and ACQ580...+P940 and +P944 drive modules

## Supplement





# ACS580..., ACH580... and ACQ580...+P940 and +P944 drive modules

Supplement

Table of contents



4. Mechanical installation



5. Electrical installation





# Table of contents

---

## **1 Introduction to the supplement**

Contents of this chapter .....	7
Applicability .....	7
Safety instructions .....	7
Target audience .....	7
Purpose of this supplement .....	8
Related documents .....	8

## **2 Hardware description**

Contents of this chapter .....	9
Product overview .....	9
Layout of option +P940 (IP20, UL Type Open) .....	10
Layout of option +P944 (IP20, UL Type Open) .....	10

## **3 Guidelines for planning the cabinet installation**

Contents of this chapter .....	11
Limitation of liability .....	11
Generic cabinet planning instructions .....	11
Vibration dampers .....	12
Layout example .....	13
Minimum air inlet and outlet grating sizes .....	14
Preventing the recirculation of hot air .....	14
Installing drives above one another .....	15
Free space requirements .....	16
Planning the cabling outside cabinet .....	16
Installing ABB common mode filters (option +E208) .....	16

## **4 Mechanical installation**

Contents of this chapter .....	17
Safety .....	17
Examining the installation site .....	18
Necessary tools .....	18
Moving the drive module .....	18
Unpacking and examining the delivery .....	19
ACS580-01, ACH580-01 and ACQ580-01 frame R5 .....	19
ACS580-01, ACH580-01 and ACQ580-01 frames R6 to R9 .....	20
ACH580-31 and ACQ580-31 frame R3 .....	21
ACH580-31 and ACQ580-31 frame R6 .....	22
ACH580-31 and ACQ580-31 frame R8 .....	23
Installing the drive .....	24

## **5 Electrical installation**

Contents of this chapter .....	25
Warnings .....	25
Power cable connection diagram .....	26

---



## 6 Table of contents

Cable connection procedure – ACH580-31... and ACQ580-31... +P940 .....	27
Power cable connection procedure (IEC) – ACS580-01..., ACH580-01... and ACQ580-01... +P944 .....	27
Preparing the cable ends for connection and making 360-degree grounding at the cable entry plate .....	27
Installing the drive module shelves and connecting the power cables .....	28
Frames R5 to R9 .....	28
Connecting the control cables .....	30

### 6 Installation checklist

Contents of this chapter .....	31
Checklist .....	31

### 7 Technical data

Contents of this chapter .....	35
Dimensions, weights and free space requirements .....	35
Degree of protection .....	36

### 8 Dimension drawings – ACS580-01, ACH580-01 and ACQ580-01

Contents of this chapter .....	37
Frame R5 – Option +P944 (IP20, UL Type Open) .....	38
Frame R6 – Option +P944 (IP20, UL Type Open) .....	39
Frame R7 – Option +P944 (IP20, UL Type Open) .....	40
Frame R8 – Option +P944 (IP20, UL Type Open) .....	41
Frame R9 – Option +P944 (IP20, UL Type Open) .....	42

### 9 Dimension drawings – ACH580-31 and ACQ580-31

Contents of this chapter .....	43
Frame R3 – Option +P940 (IP20, UL Type Open) .....	44
Frame R6 – Option +P940 (IP20, UL Type Open) .....	45
Frame R8 – Option +P940 (IP20, UL Type Open) .....	46

### Further information



# 1

## Introduction to the supplement

---

### Contents of this chapter

This chapter describes the supplement.

### Applicability

This supplement is applicable to these drive modules:

- ACS580-01 frames R5 to R9 with option +P944
- ACH580-01 frames R5 to R9 with option +P944
- ACQ580-01 frames R5 to R9 with option +P944
- ACH580-31 frames R3, R6 and R8 with option +P940
- ACQ580-31 frames R3, R6 and R8 with option +P940.

It is a supplement to these manuals:

- *ACS580-01 hardware manual* (3AXD50000044794 [English])
- *ACH580-01 hardware manual* (3AXD50000044839 [English])
- *ACQ580-01 hardware manual* (3AXD50000044862 [English])
- *ACH580-31 hardware manual* (3AXD50000037066 [English])
- *ACQ580-31 hardware manual* (3AXD50000045935 [English]).

### Safety instructions

See the hardware manual.

### Target audience

This manual is intended for people who plan the installation, install, start up and service the drive, or create instructions for the end user of the drive concerning the installation and maintenance of the drive.

---

Read the manual before working on the drive. You are expected to know the fundamentals of electricity, wiring, electrical components and electrical schematic symbols.

The manual is written for readers worldwide. Both SI and imperial units are shown.

## Purpose of this supplement

The supplement gives you instructions on how to install the drive module into a user-defined cabinet. For generic guidelines in planning the installation of drive modules into a user-defined cabinet, see *Drive modules cabinet design and construction instructions* (3AUA0000107668 [English]).

## Related documents

Name	Code
<b>Drive hardware manuals and guides</b>	
<i>ACS580..., ACH580... and ACQ580...+P940 and +P944 drive modules supplement</i>	3AXD50000210305
<i>Drive/converter/inverter safety instructions</i>	3AXD50000037978
<i>Drive modules cabinet design and construction instructions</i>	3AUA0000107668
<i>ACS580-01 hardware manual</i>	3AXD50000044794
<i>ACS580-01 quick installation and start-up guide for frames R1 to R5</i>	3AXD50000044838
<i>ACS580-01 quick installation and start-up guide for frames R6 to R9</i>	3AXD50000009286
<i>ACH580-01 hardware manual</i>	3AXD50000044839
<i>ACH580-01 quick installation and start-up guide for frames R1 to R5</i>	3AXD50000044861
<i>ACH580-01 quick installation and start-up guide for frames R6 to R9</i>	3AXD50000036602
<i>ACQ580-01 hardware manual</i>	3AXD50000044862
<i>ACQ580-01 quick installation and start-up guide for frames R1 to R5</i>	3AXD50000044864
<i>ACQ580-01 quick installation and start-up guide for frames R6 to R9</i>	3AXD50000037301
<i>ACH580-31 hardware manual</i>	3AXD50000037066
<i>ACH580-31 quick installation guide</i>	3AXD50000048001
<i>ACQ580-31 hardware manual</i>	3AXD50000045935
<i>ACQ580-31 quick installation guide</i>	3AXD50000049859
<i>ACS880-01...+E208 frame R7, ACH580-31... and ACQ580-31...+E208 frame R8 kit installation instructions</i>	3AXD50000015179

See [www.abb.com/drives/documents](http://www.abb.com/drives/documents) for all manuals on the Internet.

---



2

## Hardware description

---

### Contents of this chapter

This chapter briefly describes the construction of the drive module options +P940 and +P944.

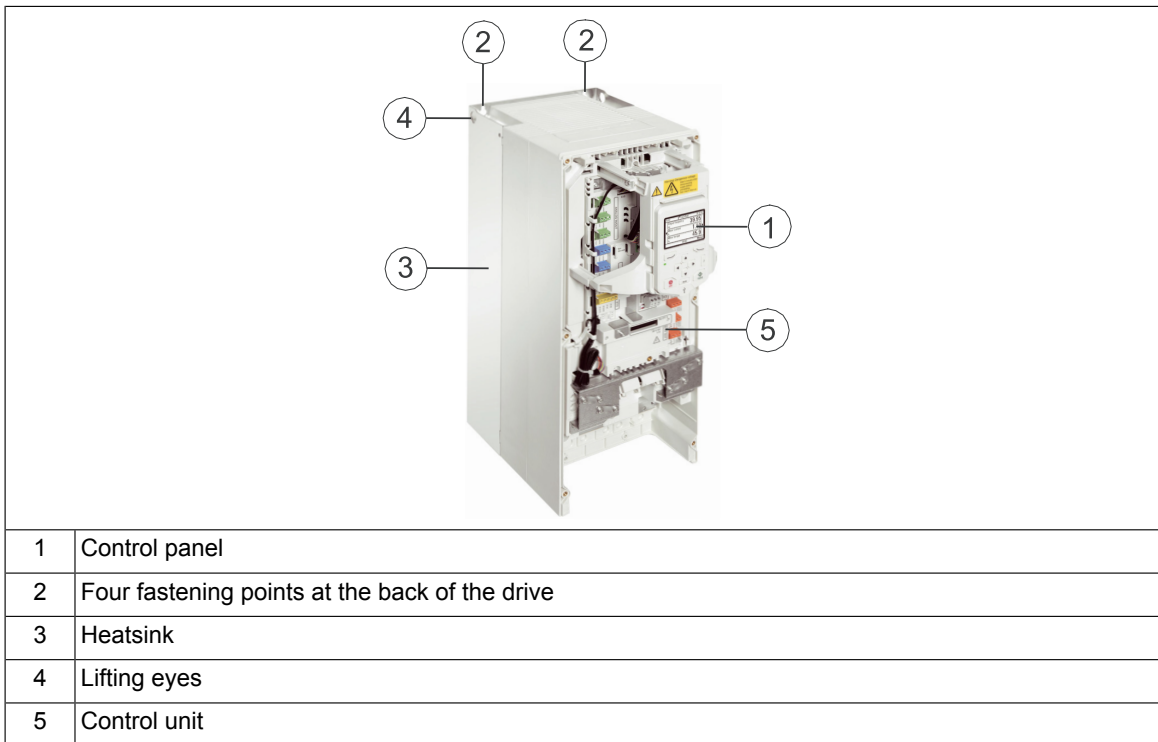
### Product overview

Drives with option +P940 and +P944 are modules to be installed into a user-defined cabinet.

Drive type	Option code	Degree of protection	Description
ACH580-31 ACQ580-31	+P940	IP20 (UL Type Open)	Drive module without front covers and bottom plate
ACS580-01 ACH580-01 ACQ580-01	+P944	IP20 (UL Type Open)	Drive module with front covers but without cable box

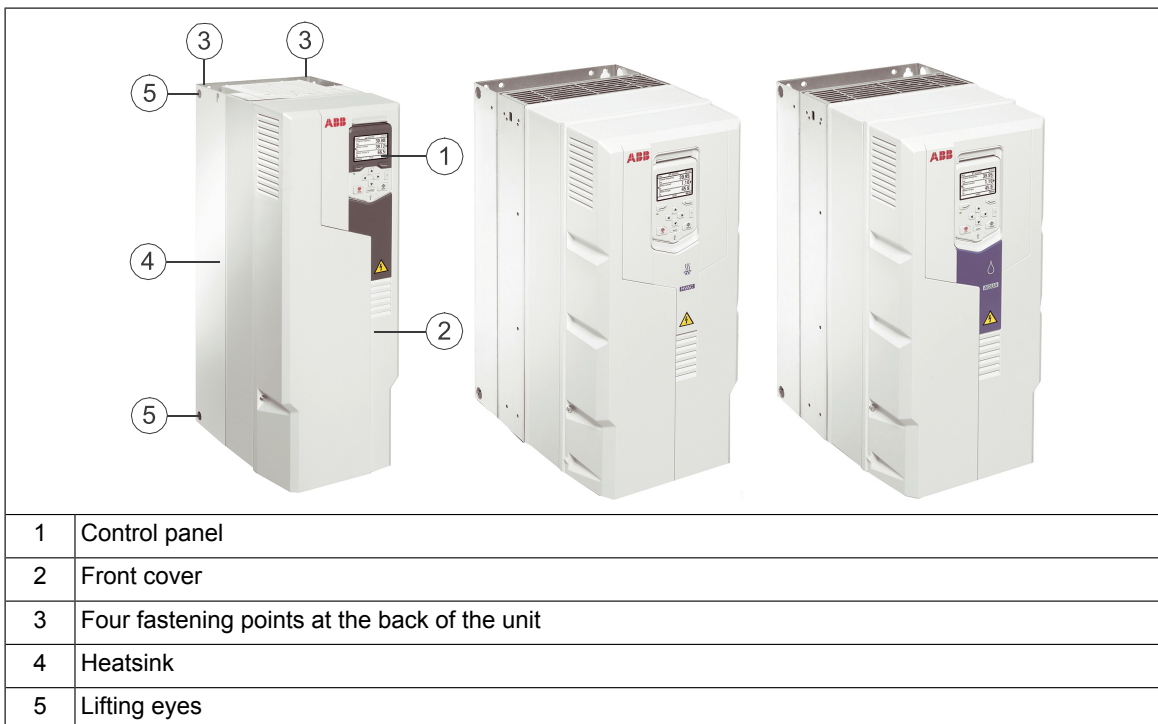
■ **Layout of option +P940 (IP20, UL Type Open)**

The image below shows the layout of an example drive module, ACH580-31 frame R3.



■ **Layout of option +P944 (IP20, UL Type Open)**

The image below shows the layout of the example drive modules, ACS580-01 frame R5, ACH580-01 frame R5 and ACQ580-01 frame R6.



# 3

## Guidelines for planning the cabinet installation

---

### Contents of this chapter

This chapter gives ACS580-01, ACH580-01, ACQ580-01, ACH580-31 and ACQ580-31 specific guidelines for planning drive cabinets and installing the drive modules into a user-defined cabinet. The guidelines are essential for the safe and trouble-free use of the drive system.

### Limitation of liability

The installation must always be designed and made according to applicable local laws and regulations. ABB does not assume any liability whatsoever for any installation which breaches the local laws and/or other regulations. Furthermore, if the recommendations given by ABB are not followed, the drive may experience problems that the warranty does not cover.

### Generic cabinet planning instructions

See *Drive modules cabinet design and construction instructions* (3AUA0000107668 [English]) for

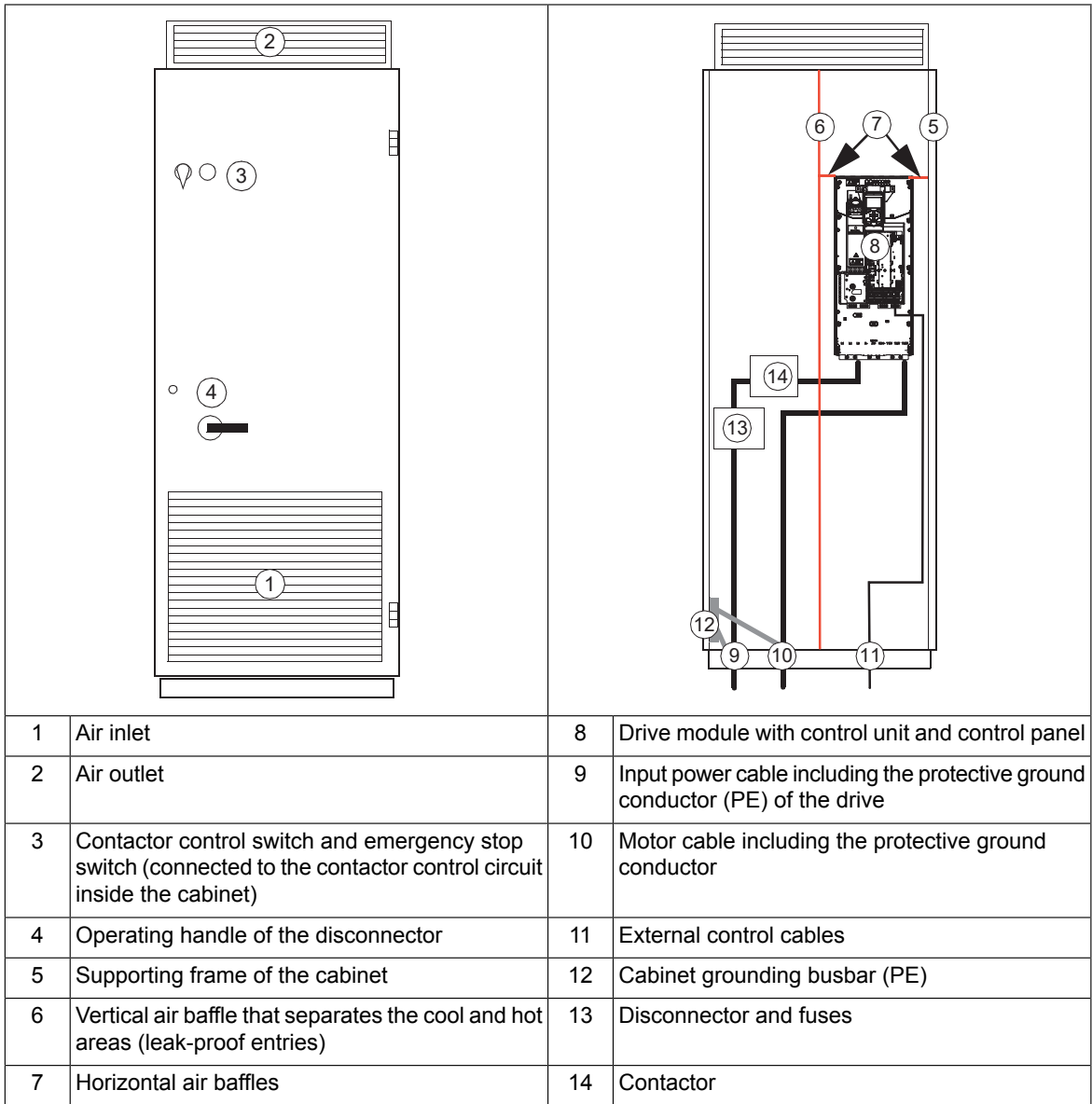
- cabinet construction: disposition of the devices, grounding of mounting structures, busbar material and joints, shrouds and tightening torques
  - cooling and degrees of protection
  - EMC requirements
  - fastening the cabinet
  - cabinet placement on a cable channel
  - planning the use of cubicle heaters
  - control panel mounting platforms.
-

## **Vibration dampers**

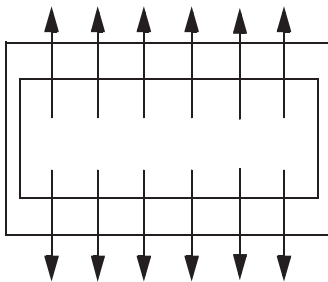
Vibration dampers are not needed in cabinet installations of ACS580-01, ACH580-01, ACQ580-01, ACH580-31 and ACQ580-31 drive modules.

## Layout example

An example cabinet layout is shown below.



Roof air flow viewed from top:



## Minimum air inlet and outlet grating sizes

Make sure that the air inlet and outlets are large enough to allow sufficient air flow in and out of the cabinet. This is critical for the correct cooling of the drive module. See the minimum grating sizes below.

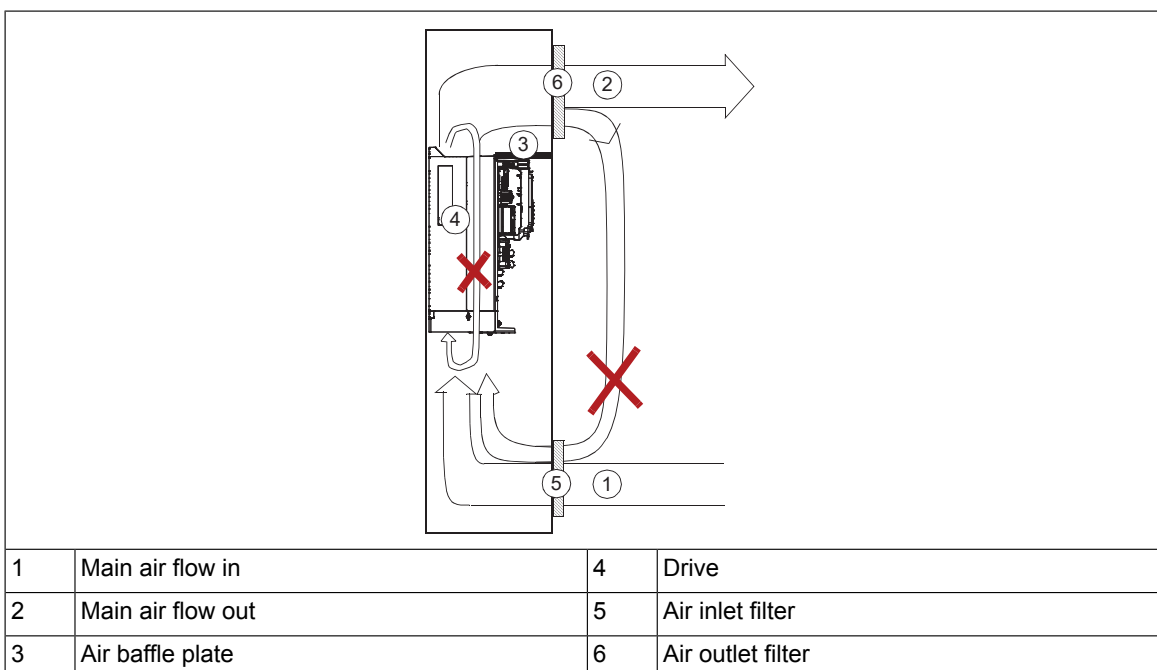
Frame size	Minimum effective area of cabinet air inlet (cm <sup>2</sup> )		Minimum effective area of cabinet air outlet (cm <sup>2</sup> )	
	IP22	IP54	IP22	IP54
R1	175	250	350	550
R2	225	350	450	700
R3	275	450	550	900
R4	350	550	700	1100
R5	400	650	800	1250
R6	475	750	950	1500
R7	650	1100	1300	2000
R8	1000	1600	2000	3200
R9	1500	2400	3000	4800

## Preventing the recirculation of hot air

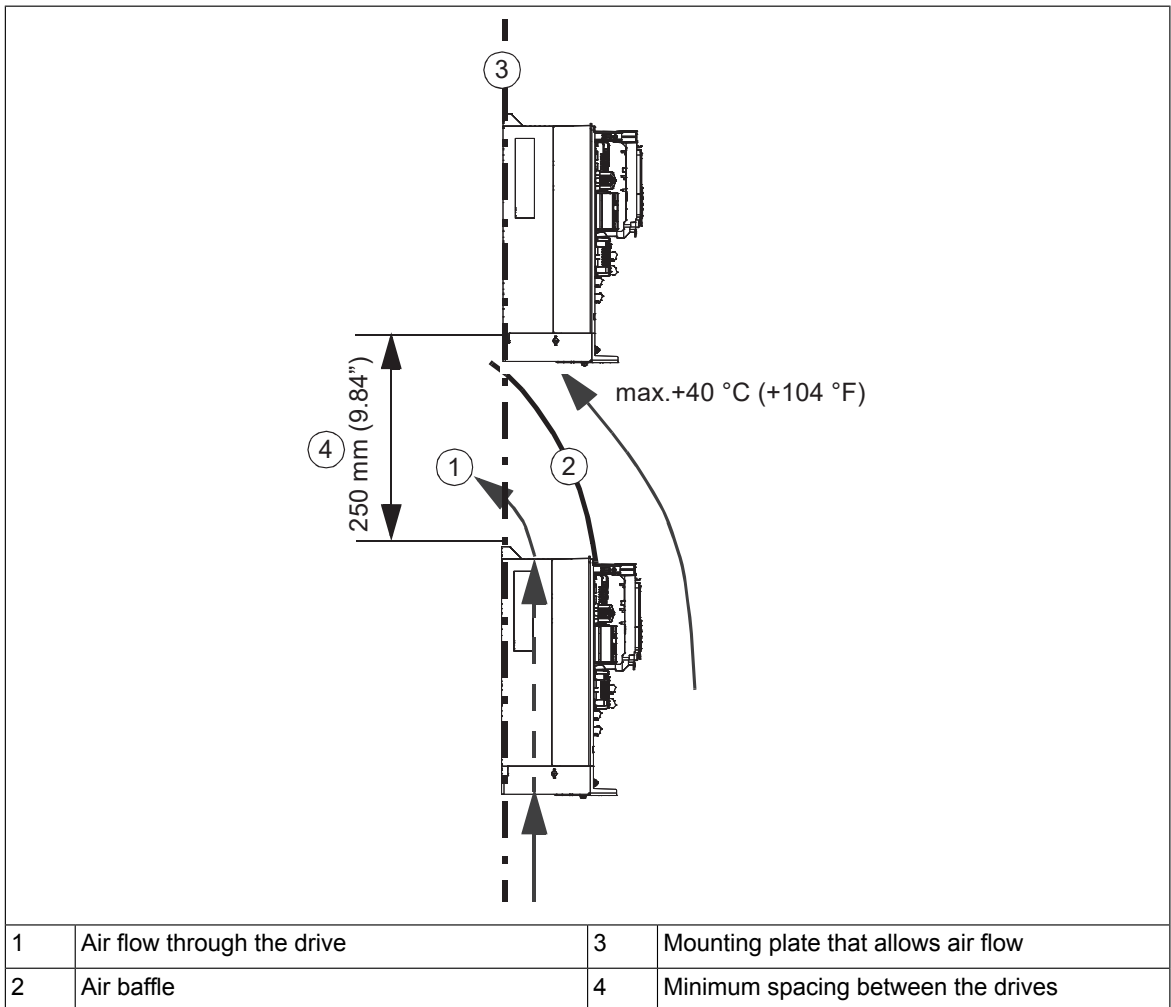
Prevent hot air circulation outside the cabinet by leading the outgoing hot air away from the area where the inlet air to the cabinet is taken. Possible solutions are listed below:

- gratings that guide air flow at the air inlet and outlet
- air inlet and outlet at different sides of the cabinet
- cool air inlet in the lower part of the front door, and an extra exhaust fan on the roof of the cabinet.

Prevent hot air circulation inside the cabinet with, for example, leak-proof air baffles. No gaskets are usually required.

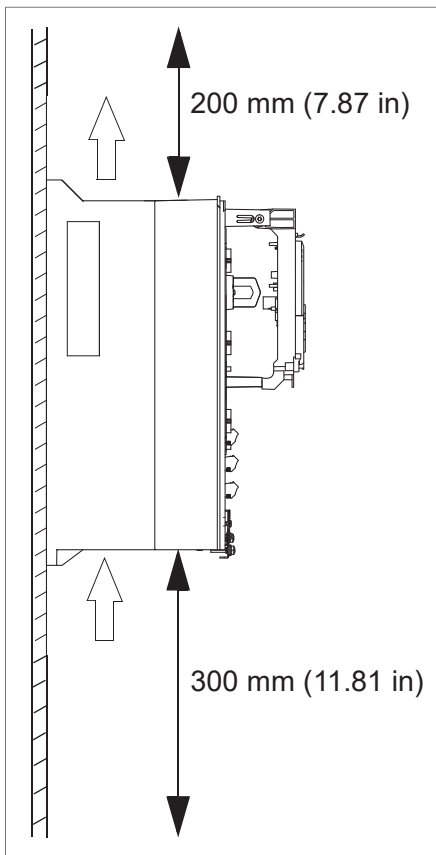


■ Installing drives above one another



## Free space requirements

The required free space at the top and bottom of the drive module is shown below. The free space is needed to make sure that the module cools correctly.



## Planning the cabling outside cabinet

See the cable routing instructions in the hardware manual.

## Installing ABB common mode filters (option +E208)

Common mode filter kits are available as options from ABB. For drive modules without the cable entry box, hang the common mode filter ring on the cabinet structure.

For the dimensions of the ring and installing of the motor cable through the ring, see

ACS580-01, ACH580-01 and ACQ580-01: drawing in the common mode filter package.	-
ACS880-01...+E208 frame R7, ACH580-31... and ACQ580-31...+E208 frame R8 kit installation instructions	3AXD50000015179



# 4

## Mechanical installation

---

### Contents of this chapter

This chapter gives guidelines for the mechanical installation of the drive module into a cabinet.

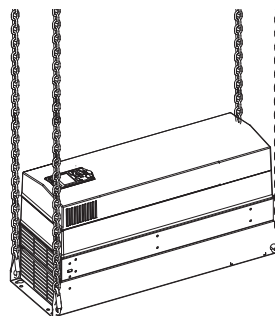
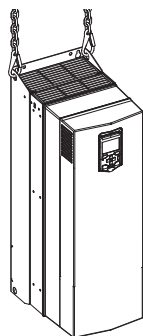
### Safety

---



**WARNING!**

For frame sizes R6 to R9: Use the lifting eyes of the drive when you lift the drive. Do not tilt the drive. **The drive is heavy and its center of gravity is high. An overturning drive can cause physical injury.**



## Examining the installation site

See the drive hardware manual for

- allowed ambient conditions in chapter Technical data
- allowed installation positions.

Examine the installation site:

- The installation site is sufficiently ventilated or cooled to remove heat from the drive. See the technical data.
- The ambient conditions of the drive meet the specifications. See the technical data.
- The wall behind the unit and the material above and below the unit is of non-flammable material.
- The installation surface is as close to vertical as possible and strong enough to support the drive.
- There is enough free space around the drive to enable cooling, maintenance, and operation. See the free space specifications for the drive.
- Make sure that there are no sources of strong magnetic fields such as high-current single-core conductors or contactor coils near the drive. A strong magnetic field can cause interference or inaccuracy in the operation of the drive.



## Necessary tools

- Drill and drill bits
- Screwdriver and/or wrench with bits.

## Moving the drive module

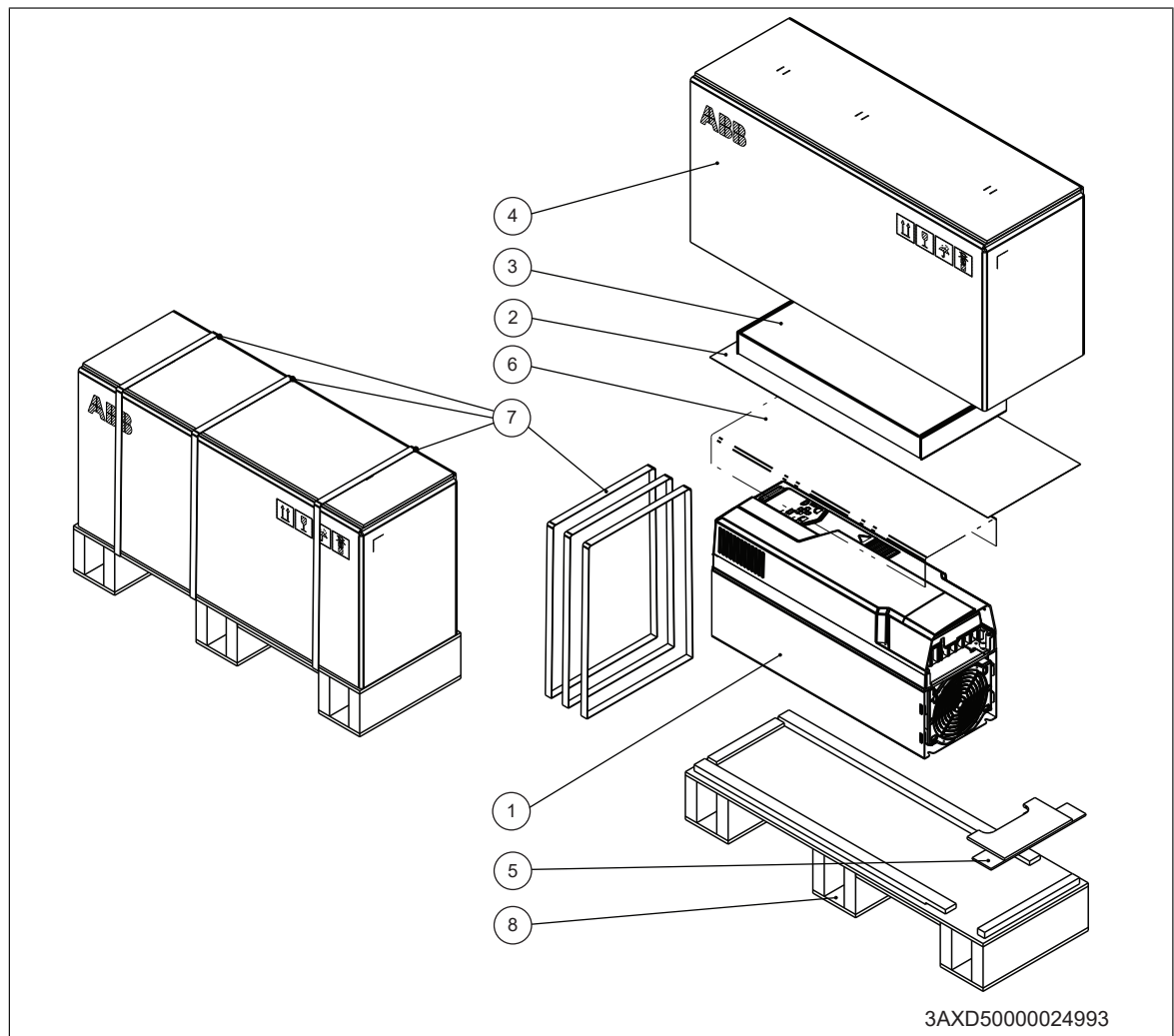
Move the transport package by pallet truck to the installation site.

## Unpacking and examining the delivery

Examine that all items are present and there are no signs of damage. Read the data on the type designation label of the drive to make sure that the drive is of the correct type.

### ■ ACS580-01, ACH580-01 and ACQ580-01 frame R5

The figure below shows the drive package with its contents.



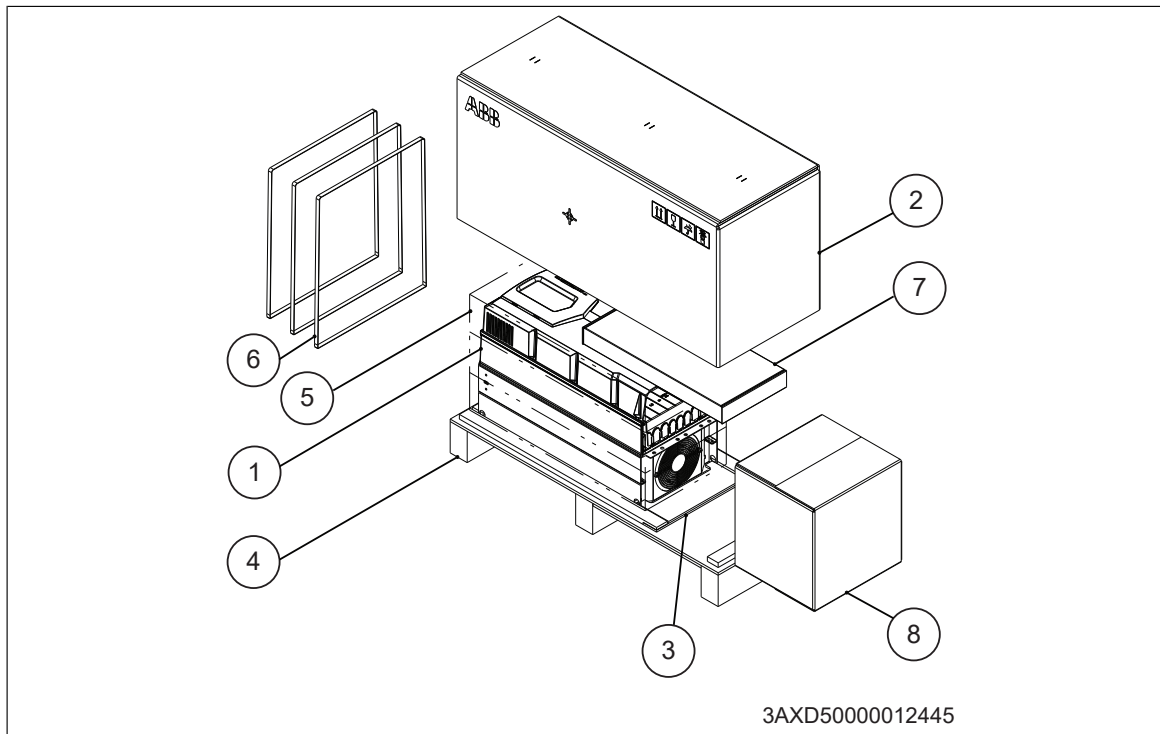
1	Drive with factory installed options	5	Stopper
2	Mounting template	6	Cover protecting film
3	Printed quick guides and manuals and multilingual residual voltage warning sticker inside the box	7	Straps
4	Cardboard box.	8	Pallet

To unpack:

- Cut the straps (7)
- Remove the cardboard box (4), option box (3) and mounting template (2)
- Remove the stopper (5)
- Lift the drive.

■ ACS580-01, ACH580-01 and ACQ580-01 frames R6 to R9

The figure below shows the drive package with its contents.



3AXD50000012445

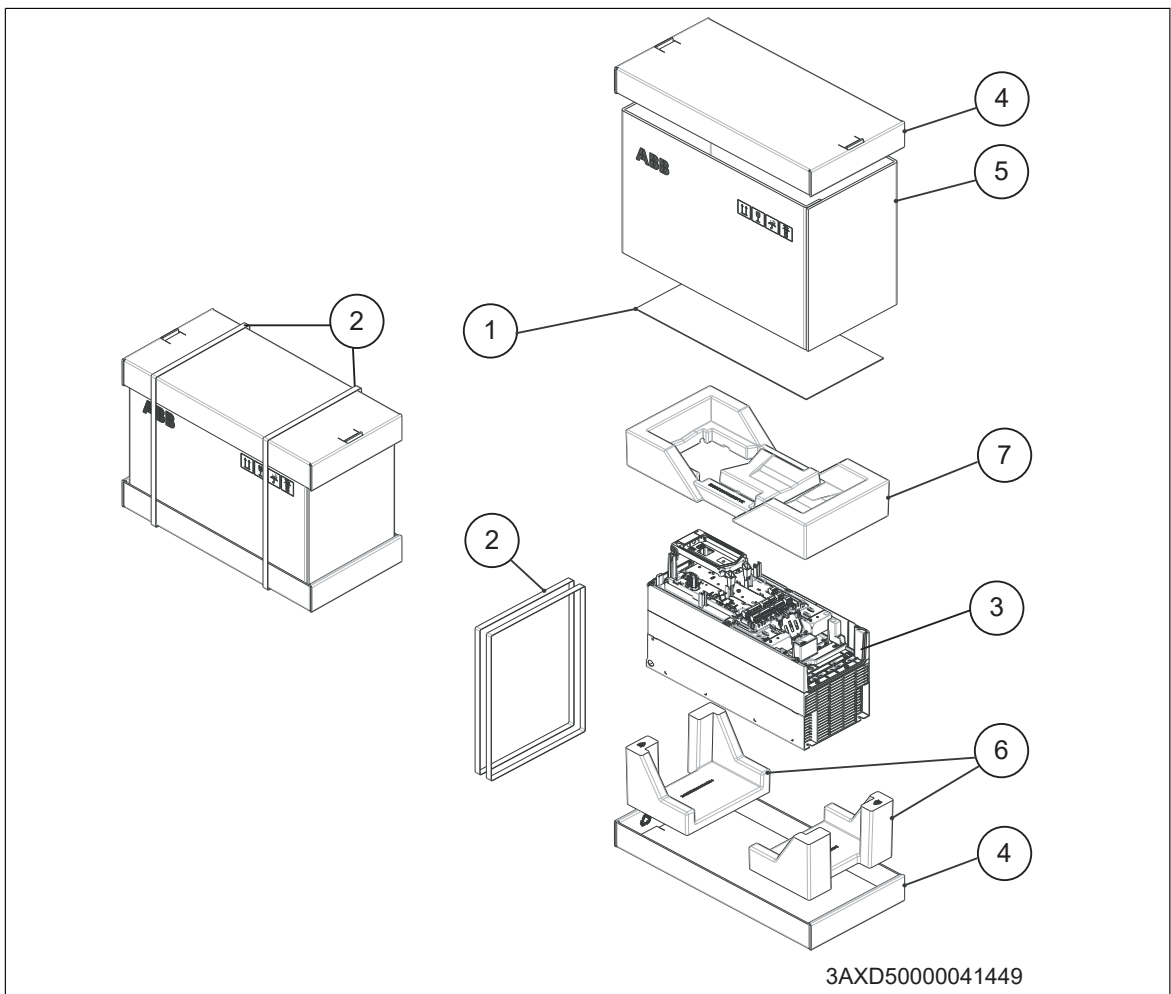
1	Drive with factory installed options	5	VCI bag
2	Cardboard box	6	Straps
3	Stopper	7	Printed quick guides and multilingual residual voltage warning sticker
4	Pallet tray	8	Cable box (not included to drive modules with option +P944)

To unpack:

- Cut the straps (6)
- Remove the cardboard box (2)
- Remove the box (7), stopper (3) and VCI bag (5)
- Attach lifting hooks to the lifting eyes of the drive module. Lift the drive module with a hoist.

■ **ACH580-31 and ACQ580-31 frame R3**

The figure below shows the drive package with its contents.



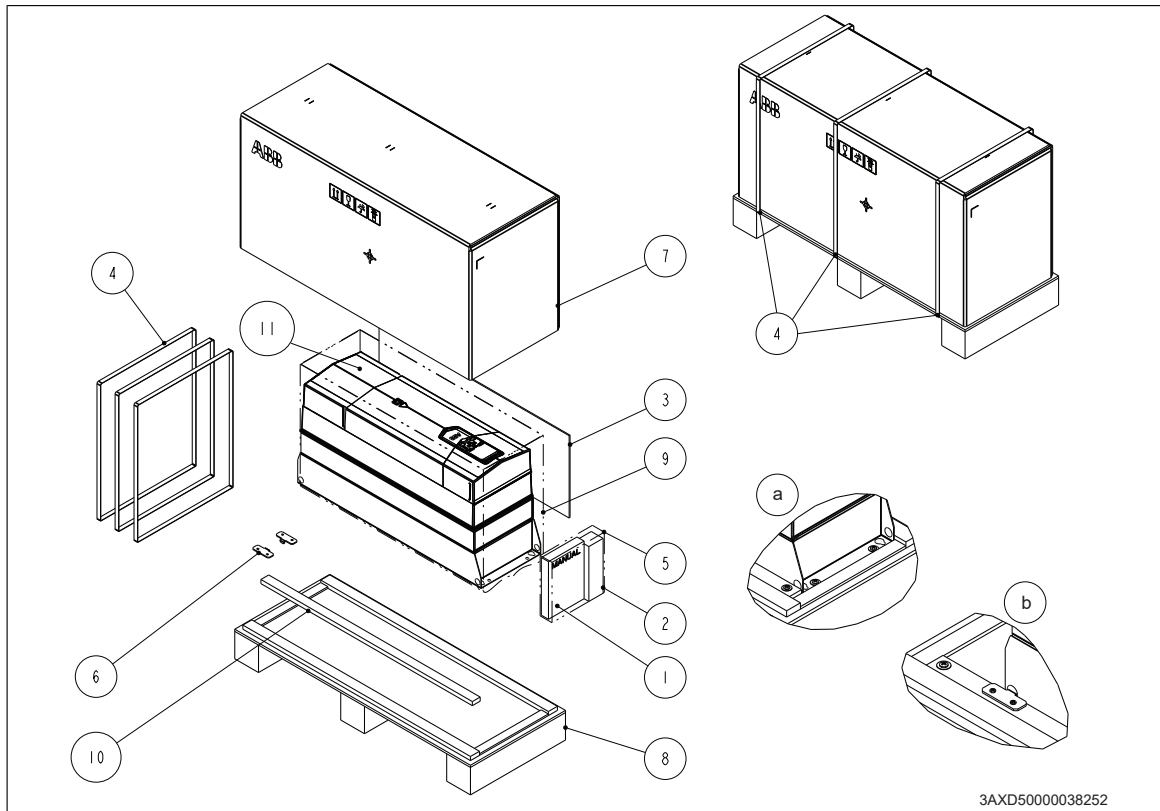
3AXD50000041449

1	Mounting template	5	Sleeve
2	Straps	6, 7	Package cushions
3	Printed quick guides and manuals, multilingual residual voltage warning sticker		
4	Trays	8	Drive with factory installed options
<p>To unpack:</p> <ul style="list-style-type: none"> <li>• Cut the straps (2)</li> <li>• Remove the top tray (4), sleeve (5), mounting template (1) and cushion (7)</li> <li>• Lift the drive.</li> </ul>			



■ **ACH580-31 and ACQ580-31 frame R6**

The figure below shows the drive package with its contents. Note that drives with option +P940 are delivered without front covers.



3AXD50000038252

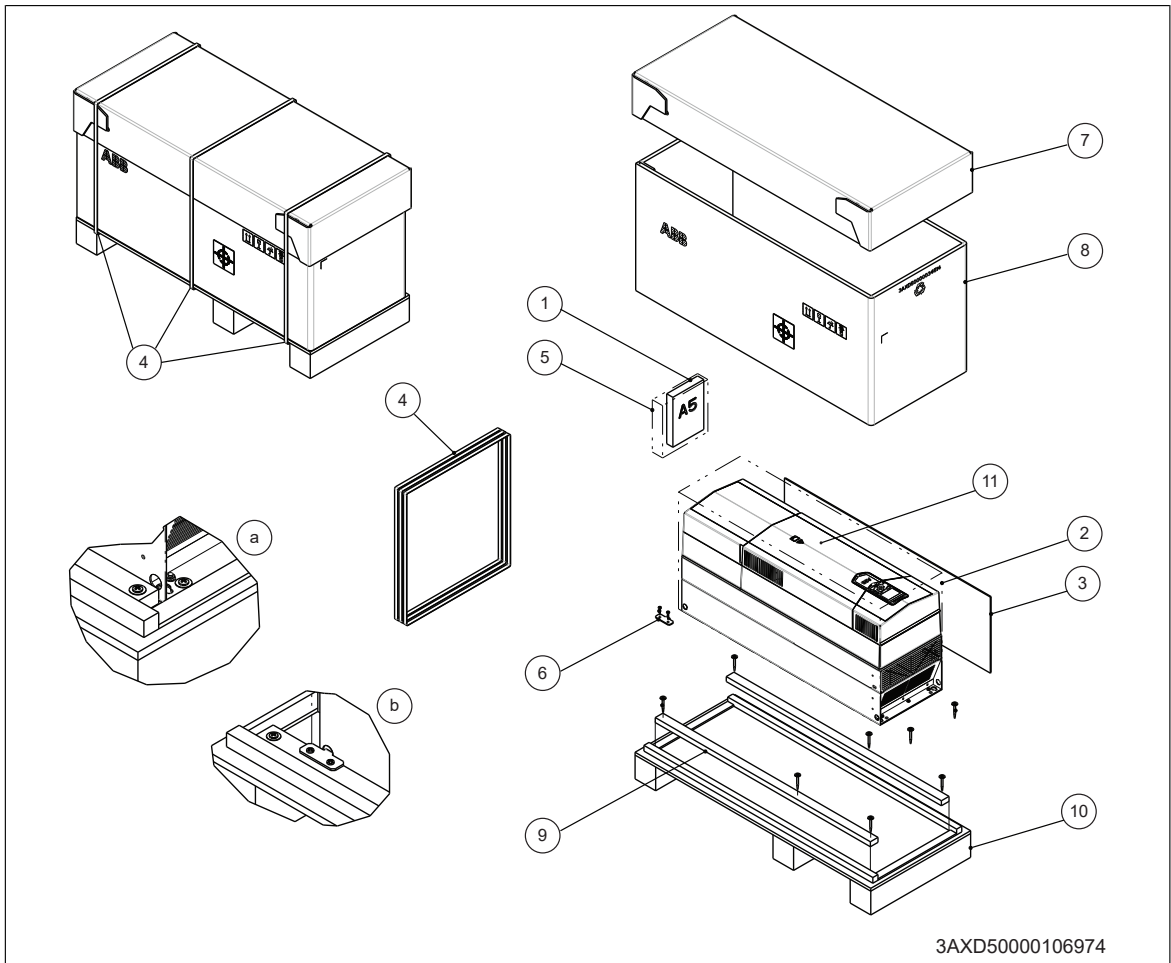
1	Printed quick guides and manuals, multilingual residual voltage warning sticker	7	Cardboard box
2	Accessories	8	Pallet
3	Mounting template	9	VCI bag
4	Straps	10	Plywood support
5	Plastic bag	11	Drive with factory installed options
6	Packing brackets		

To unpack:

- Cut the straps (4)
- Remove the cardboard box (7) and the mounting template (3)
- Undo the attaching screws (a, b)
- Attach lifting hooks to the lifting eyes of the drive module. Lift the drive module with a hoist.

■ **ACH580-31 and ACQ580-31 frame R8**

The figure below shows the drive package with its contents. Note that drives with option +P940 are delivered without front covers.



3AXD50000106974

1	Printed quick guides and manuals, multilingual residual voltage warning sticker	7	Tray
2	VCI bag	8	Sleeve
3	Mounting template	9	Plywood supports
4	Straps	10	Pallet
5	Plastic bag	11	Drive with factory installed options
6	Packing bracket		

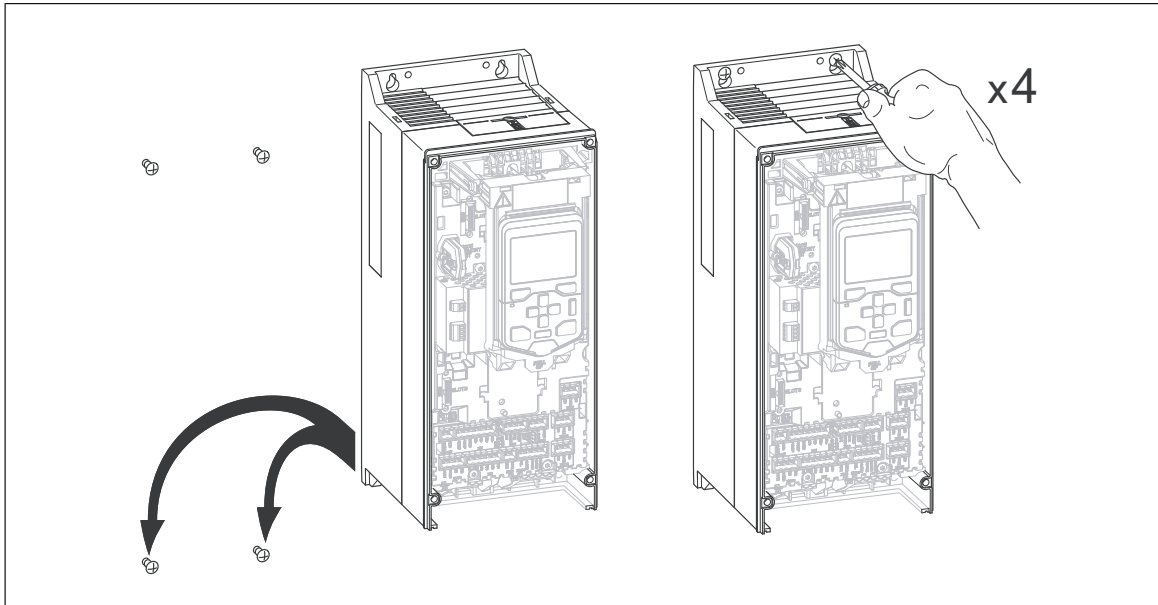
To unpack:

- Cut the straps (4)
- Remove the top tray (7), sleeve (8) and mounting template (3)
- Undo the attaching screws (a, b)
- Attach lifting hooks to the lifting eyes of the drive module. Lift the drive module with a hoist.



## Installing the drive

1. See the dimension drawings. Mark the locations for the four mounting holes.
2. Start the screws or bolts into the mounting holes.
3. Position the drive onto the screws.
4. Tighten the screws in the wall securely.





# 5

## Electrical installation

---

### Contents of this chapter

This chapter gives instructions on how to install the power and control cables to the drive module. For other electrical installation instructions that concern the drive, see the hardware manual.

### Warnings

---



**WARNING!**

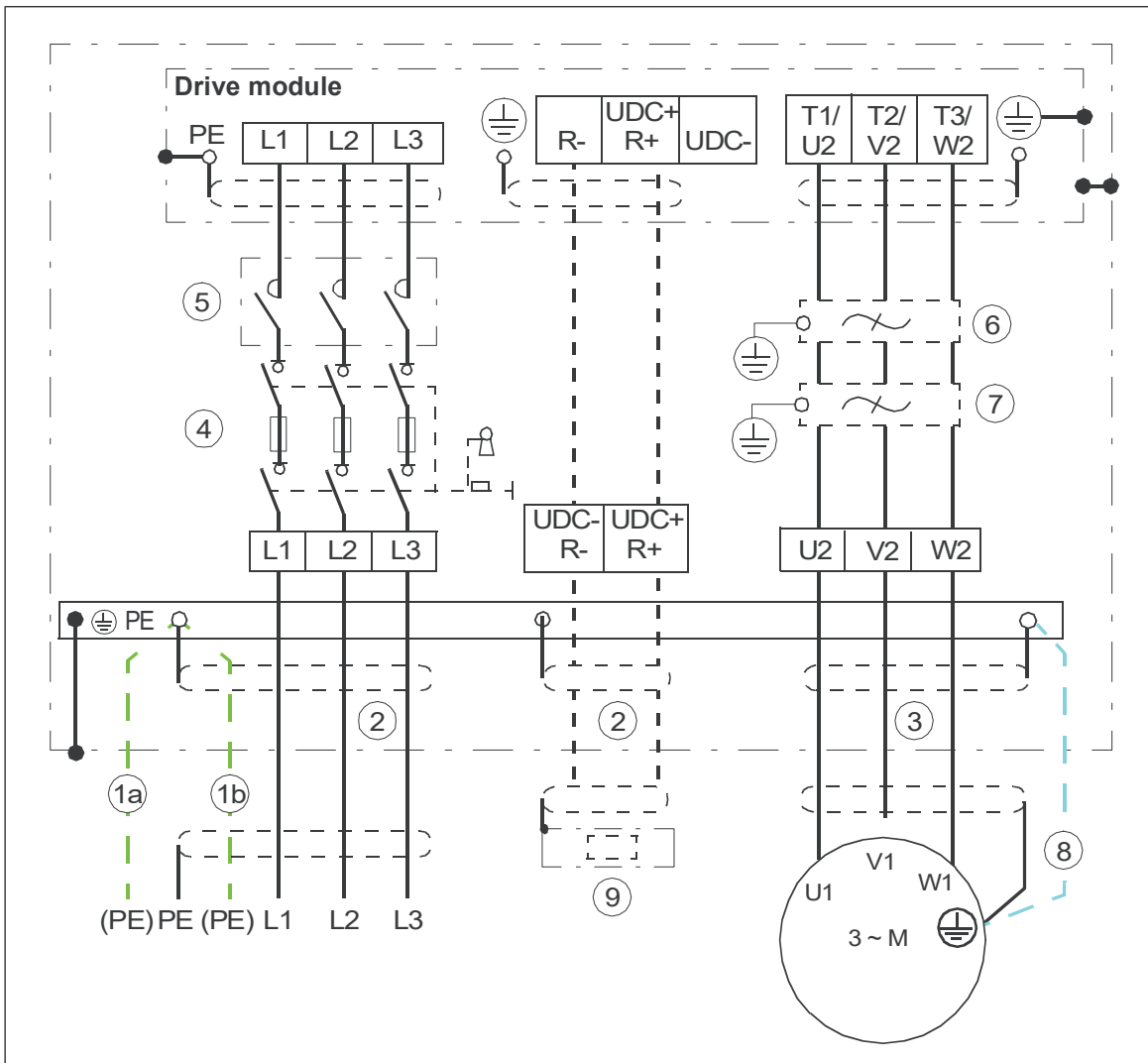
Obey the safety instructions of the drive. If you ignore them, injury or death, or damage to the equipment can occur.

If you are not a qualified electrical professional, do not do installation or maintenance work.

---



## Power cable connection diagram



1	Use a separate grounding PE cable (1a) or a cable with a separate PE conductor (1b) if the conductivity of the shield does not meet the requirements for the PE conductor.
2	We recommend 360-degree grounding if shielded cable is used. Ground the other end of the input cable shield or PE conductor at the distribution board.
3	We require 360-degree grounding.
4	Switch-disconnector and fuses. See section Selecting the supply disconnecting device in the hardware manual.
5	Line contactor (optional)
6	Common mode filter (option +E208)
7	du/dt filter or sine filter (optional)
8	Use a separate grounding cable if the shield does not meet the requirements of IEC 61439-1 and there is no symmetrically constructed grounding conductor in the cable. See the hardware manual.
9	External brake resistor

**Note:** If there is a symmetrically constructed grounding conductor on the motor cable in addition to the conductive shield, connect the grounding conductor to the grounding terminal at the drive and motor ends.

Do not use an asymmetrically constructed motor cable for motors above 30 kW. Connecting its fourth conductor at the motor end increases bearing currents and causes extra wear.

## Cable connection procedure – ACH580-31... and ACQ580-31... +P940

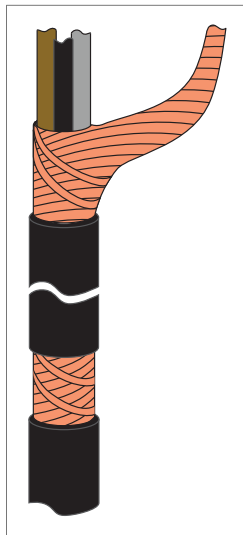
Connect the power cables as described in the hardware manual.

## Power cable connection procedure (IEC) – ACS580-01..., ACH580-01... and ACQ580-01... +P944

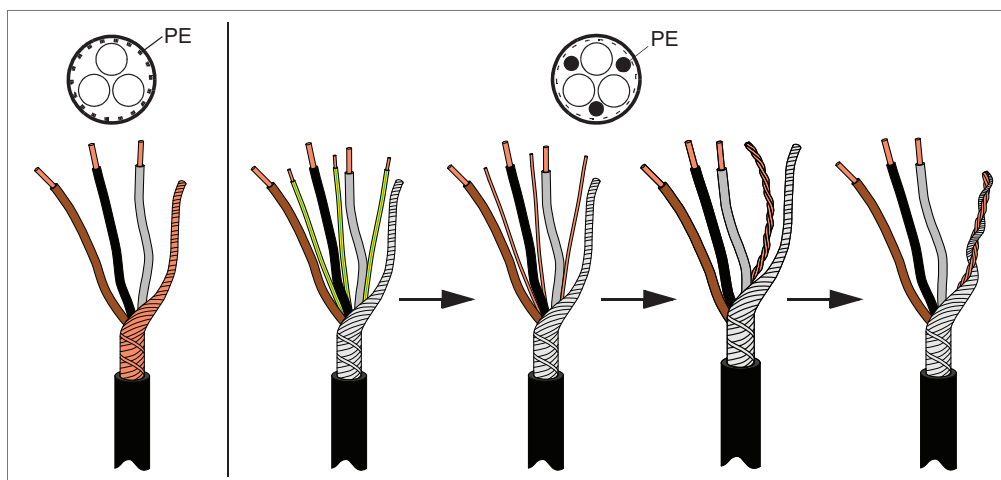
The section gives instructions on how to connect the power cables.

### ■ Preparing the cable ends for connection and making 360-degree grounding at the cable entry plate

1. Peel off 3...5 cm (1 1/4 ... 2 in) of the outer insulation of the cables at the cable entries with the conductive sleeves for the 360° high-frequency grounding.



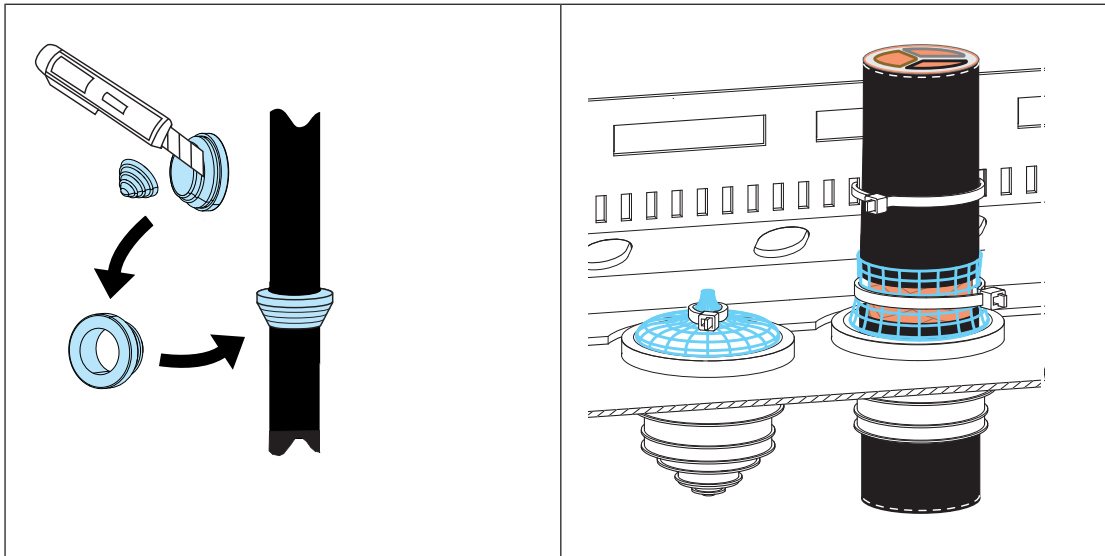
2. Prepare the ends of the cables.



### WARNING!

Apply grease to stripped aluminum conductors before attaching them to non-coated aluminum cable lugs. Obey the grease manufacturer's instructions. Aluminum-aluminum contact can cause oxidation in the contact surfaces.

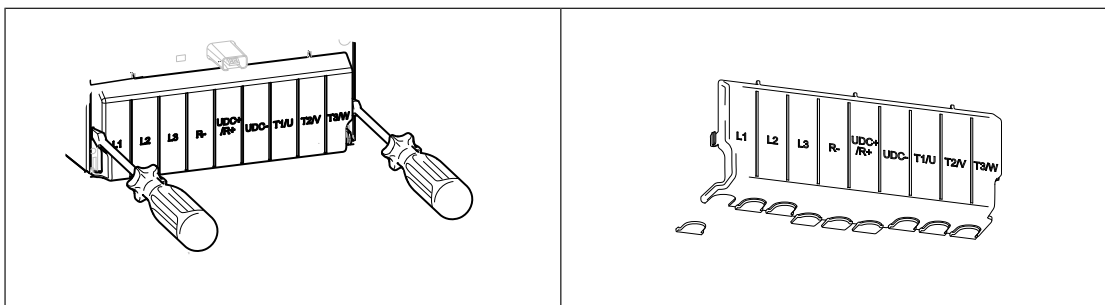
3. If fire insulation is used, make an opening in the mineral wool sheet according to the diameter of the cable.
4. Put the cables through the entry plate.
5. Remove rubber grommets from the entry plate for the cables to be connected. Cut adequate holes into the rubber grommets. Slide the grommets onto the cables. Slide the cables through the entry plate and attach the grommets to the holes.
6. Attach the conductive sleeves to the cable shields with cable ties. Tie up the unused conductive sleeves with cable ties. An example of bottom entry is shown below. For top entry, place the grommet upwards.



## ■ Installing the drive module shelves and connecting the power cables

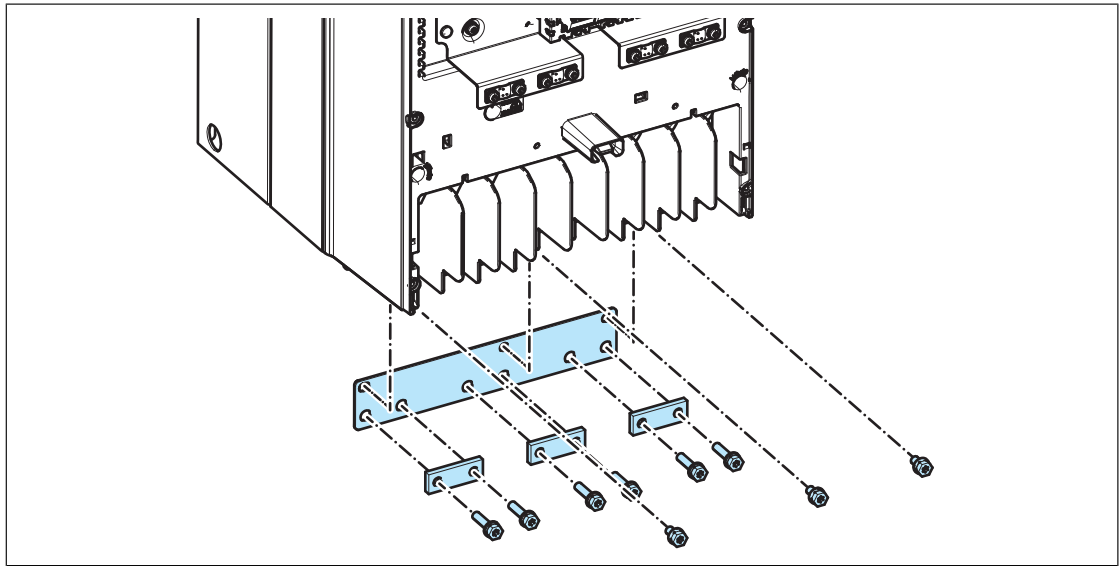
### Frames R5 to R9

1. Remove the shroud on the power cable terminals by releasing the clips and lifting the shroud up from the sides with a screwdriver. Knock out holes in the shroud for the cables to be installed.

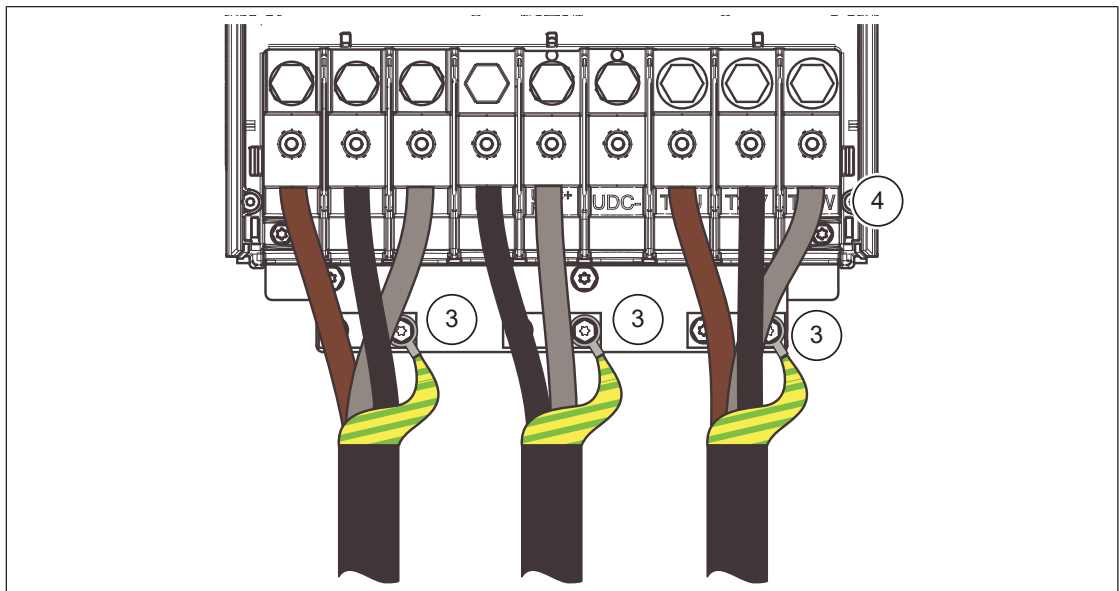


2. Attach the power cable shield grounding shelf to the drive module.

**Note:** This shelf is not included with option +C135.



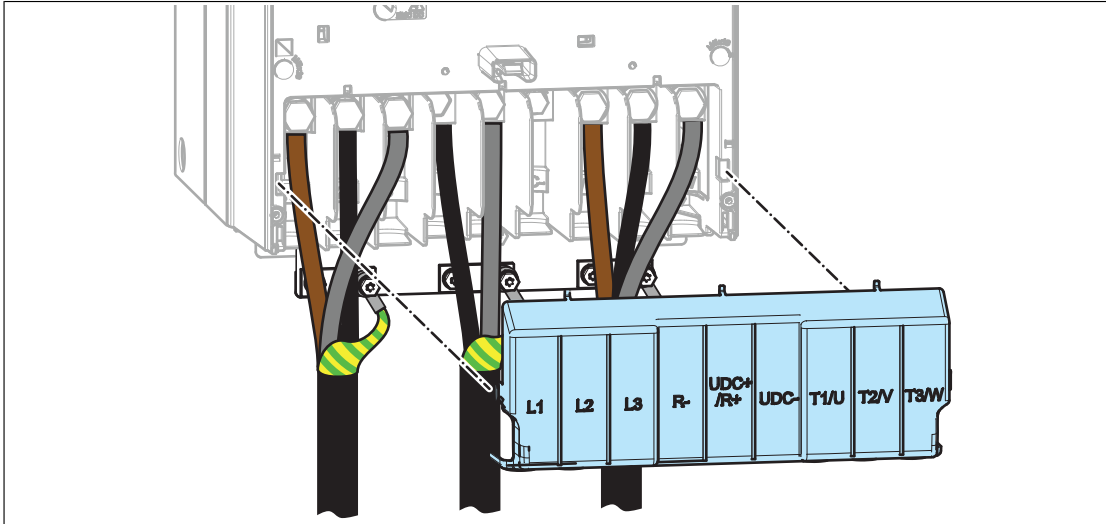
3. Connect the twisted shields of the power cables under the grounding clamps or with cable lugs under the clamp screws.
4. Connect the phase conductors of the input cable to the L1, L2 and L3 terminals and the phase conductors of the motor cable to the T1/U, T2/V and T3/W terminals. Connect the brake resistor conductors (if present) to the R+ and R- terminals. Tighten the screws to the torque given in the figure below



Frame	L1, L2, L3, T1/U, T2/V, T3/W	R-, R+/UDC+, UDC-	Grounding
	N·m	N·m	(N·m)
R5	5.6	5.6	2.2
R6	30	20	9.8
R7	40 (30*)	30	9.8
R8	40	40	9.8
R9	70	70	9.8

\* 525...690 V

5. Reinstall the shroud on the power terminals.



## Connecting the control cables

1. Strip the cable ends and cut to suitable length (note the extra length of the grounding conductors).
2. Ground the outer shields of all control cables 360 degrees at the cabinet entry.
3. Secure the cables mechanically at the clamps next to the control unit.
4. Ground the pair-cable shields and grounding wire at the SCR terminal. Leave the other end of the shields unconnected or ground them indirectly via a high-frequency capacitor with a few nanofarads, eg, 3.3 nF / 630 V.
5. Connect the conductors to the appropriate terminals of the control unit (see default I/O connections in the drive hardware manual).
6. Wire the optional modules if included in the delivery.



## 6

# Installation checklist

## Contents of this chapter

This chapter contains a list for checking the mechanical and electrical installation of the drive.

## Checklist

Check the mechanical and electrical installation of the drive before start-up. Go through the checklist together with another person.



### WARNING!

Obey the safety instructions. If you ignore them, injury or death, or damage to the equipment can occur. Do the steps in section *Electrical safety precautions* before you start the work.

Check that ...	<input checked="" type="checkbox"/>
<b>Cabinet construction</b>	
The drive module is fastened properly to the cabinet.	<input type="checkbox"/>
Mechanical joints are tightened and not broken.	<input type="checkbox"/>
Parts are clean and painted surfaces not scratched.	<input type="checkbox"/>
The cabinet frame and parts which are in metal to metal contact with the frame (for example seams, component fixing points on assembly plates, back of control unit mounting plate) are not finished with non-conducting paint or material.	<input type="checkbox"/>
Degree of protection (IPxx)	<input type="checkbox"/>
<b>Drive option modules and other components</b>	
Type and number of option modules and other equipment is correct. Option modules and other equipment are not damaged.	<input type="checkbox"/>
Option modules and terminals are labeled correctly.	<input type="checkbox"/>

32 Installation checklist

<b>Check that ...</b>	<input checked="" type="checkbox"/>
The placement of optional modules and other equipment inside the cabinet and on the cabinet door is correct.	<input type="checkbox"/>
The mounting of optional modules and other equipment is correct.	<input type="checkbox"/>
<b>Internal cabling of the cabinet assembly</b>	
Main circuit: <ul style="list-style-type: none"> <li>• AC supply input cabling is ok.</li> <li>• AC output cabling is ok.</li> <li>• Supply for brake resistor (if used) is ok.</li> </ul>	<input type="checkbox"/>
Cable types, cross-sections, colors and optional markings are correct.	<input type="checkbox"/>
Cabling is not susceptible to interference. Check the twisting of cables and cable routes.	<input type="checkbox"/>
Connection of cables to devices, terminal blocks and drive module circuit boards: <ul style="list-style-type: none"> <li>• Cables are connected to terminals tight enough by pulling the cable.</li> <li>• Cable termination on terminals chaining is done correctly.</li> <li>• Bare conductors are not too far outside the terminal causing an insufficient clearance or loss of shielding against contact.</li> <li>• The control unit is wired properly to the drive module.</li> <li>• The control panel cable is connected properly.</li> </ul>	<input type="checkbox"/>
Cables are not lying against sharp edges or bare live parts. Bending radius of fiber optic cables is at least 3.5 cm (1.38 in).	<input type="checkbox"/>
The type, markings, insulation plates and cross connections of terminal blocks are correct.	<input type="checkbox"/>
<b>Grounding and protection</b>	
The grounding colors, cross-section and grounding points of modules and other equipment match the circuit diagrams. No long routes for pigtails.	<input type="checkbox"/>
Connections of PE cables and busbars are tight enough. Pull the cable to test that it does not loosen. No long routes for pigtails.	<input type="checkbox"/>
Doors equipped with electrical equipment are grounded. No long grounding routes. From EMC standpoint best result is achieved with a flat copper braid.	<input type="checkbox"/>
Fans that can be touched are shrouded.	<input type="checkbox"/>
Live parts inside the doors are protected against direct contact to at least IP2x.	<input type="checkbox"/>
<b>Labels</b>	
The type designation labels and warning and instruction stickers are made according to the local regulations and placed correctly.	<input type="checkbox"/>
<b>Switches and doors</b>	
Mechanical switches, main disconnecting switch and cabinet doors function properly.	<input type="checkbox"/>
<b>Installation of the cabinet</b>	
The drive cabinet has been attached to floor and also from top to the wall or roof.	<input type="checkbox"/>
The ambient operating conditions agree with the specifications given in chapter Technical data.	<input type="checkbox"/>
The cooling air will flow freely in and out of the drive cabinet, and air recirculation inside the cabinet will not be possible (air baffle plates are on place).	<input type="checkbox"/>
<u>If the drive module has been stored over one year:</u> The electrolytic DC capacitors in the DC link of the drive have been reformed.	<input type="checkbox"/>
There is an adequately sized protective ground conductor between the drive and the switchboard.	<input type="checkbox"/>
There is an adequately sized protective earth ground conductor between the motor and the drive.	<input type="checkbox"/>
All protective ground conductors have been connected to the appropriate terminals and the terminals have been tightened. (Pull the conductors to check.)	<input type="checkbox"/>
The enclosures of the equipment in the cabinet have proper galvanic connection to the cabinet protective earth (ground) busbar; The connection surfaces at the fastening points are bare (unpainted) and the connections are tight, or separate grounding conductors have been installed.	<input type="checkbox"/>



<b>Check that ...</b>	<input checked="" type="checkbox"/>
The supply voltage matches the nominal input voltage of the drive. Check the type designation label.	<input type="checkbox"/>
The input power cable has been connected to the appropriate terminals, the phase order is right, and the terminals have been tightened. (Pull on the conductors to check.)	<input type="checkbox"/>
Appropriate AC fuses and a main disconnect have been installed.	<input type="checkbox"/>
The motor cable has been connected to the appropriate terminals, the phase order is right, and the terminals have been tightened. (Pull on the conductors to check.)	<input type="checkbox"/>
The brake resistor (if present) has been connected to the appropriate terminals, and the terminals have been tightened. (Pull on the conductors to check.)	<input type="checkbox"/>
The motor cable (and brake resistor cable, if present) has been routed away from other cables.	<input type="checkbox"/>
No power factor compensation capacitors have been connected to the motor cable.	<input type="checkbox"/>
The control cables (if any) have been connected to the appropriate terminals, and the terminals have been tightened. (Pull on the conductors to check.)	<input type="checkbox"/>
<u>If a drive bypass connection will be used:</u> The direct-on-line contactor of the motor and the drive output contactor are either mechanically or electrically interlocked, ie, cannot be closed simultaneously.	<input type="checkbox"/>
There are no tools, foreign objects or dust from drilling inside the drive.	<input type="checkbox"/>
All shrouds and cover of the motor connection box are in place. Cabinet doors have been closed.	<input type="checkbox"/>
The motor and the driven equipment are ready for start.	<input type="checkbox"/>

---





## Technical data

---

### Contents of this chapter

This chapter contains some technical data of the drive module. For other data, see the hardware manual.

### Dimensions, weights and free space requirements

ACS580-01..., ACH580-01... and ACQ580-01... +P944								
Frame	IP 20				UL Type Open			
	Height mm	Width mm	Depth mm	Weight kg	Height in.	Width in.	Depth in.	Weight lb
R5	596	203	295	26.5	23.46	7.99	11.61	58
R6	549	252	369	42.6	21.63	9.92	14.53	94
R7	601	284	370	49.6	23.67	11.18	14.57	109
R8	680	300	393	62.8	26.77	11.81	15.47	138
R9	680	380	418	84.8	26.77	14.96	16.46	187

ACH580-31... and ACQ580-31... +P940								
Frame	IP 20				UL Type Open			
	Height mm	Width mm	Depth mm	Weight kg	Height in.	Width in.	Depth in.	Weight lb
R3	490	203	349	18.3	19.29	7.99	13.78	40
R6	771	252	358	59	30.35	9.92	14.09	103
R8	964	300	430	109	37.95	11.81	16.94	240

For more information on dimensions, see the dimension drawings.

---

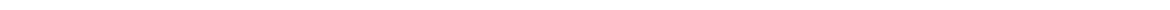
### *36 Technical data*

200 mm (7.87 in.) free space is required at the top of the drive module.

300 mm (11.81 in.) free space is required at the bottom of the drive module.

## **Degree of protection**

IP20 (UL Type Open).





## **Dimension drawings – ACS580-01, ACH580-01 and ACQ580-01**

---

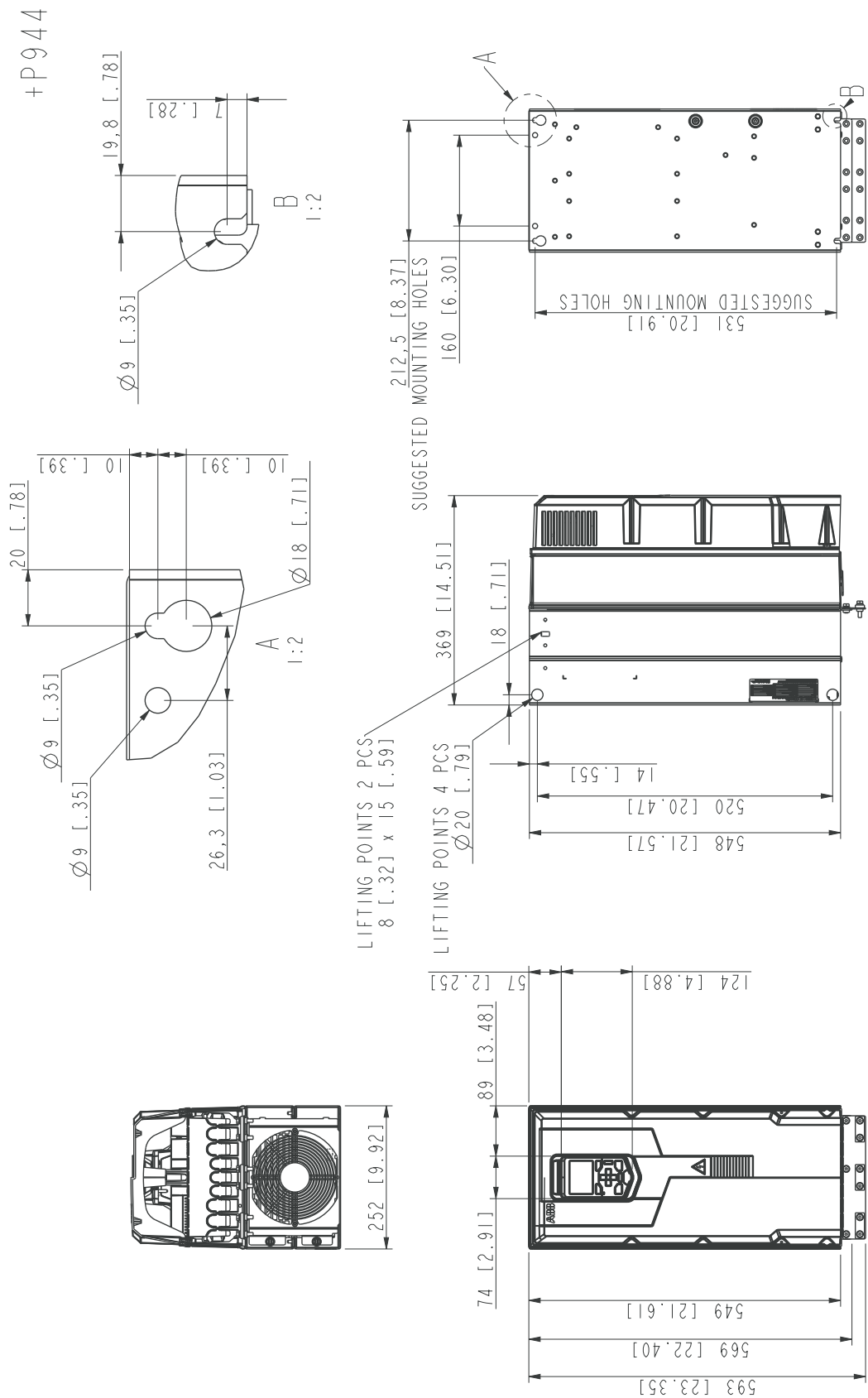
### **Contents of this chapter**

This chapter contains dimension drawings of ACS580-01..., ACH580-01... and ACQ580-01... +P944 drive modules.

---



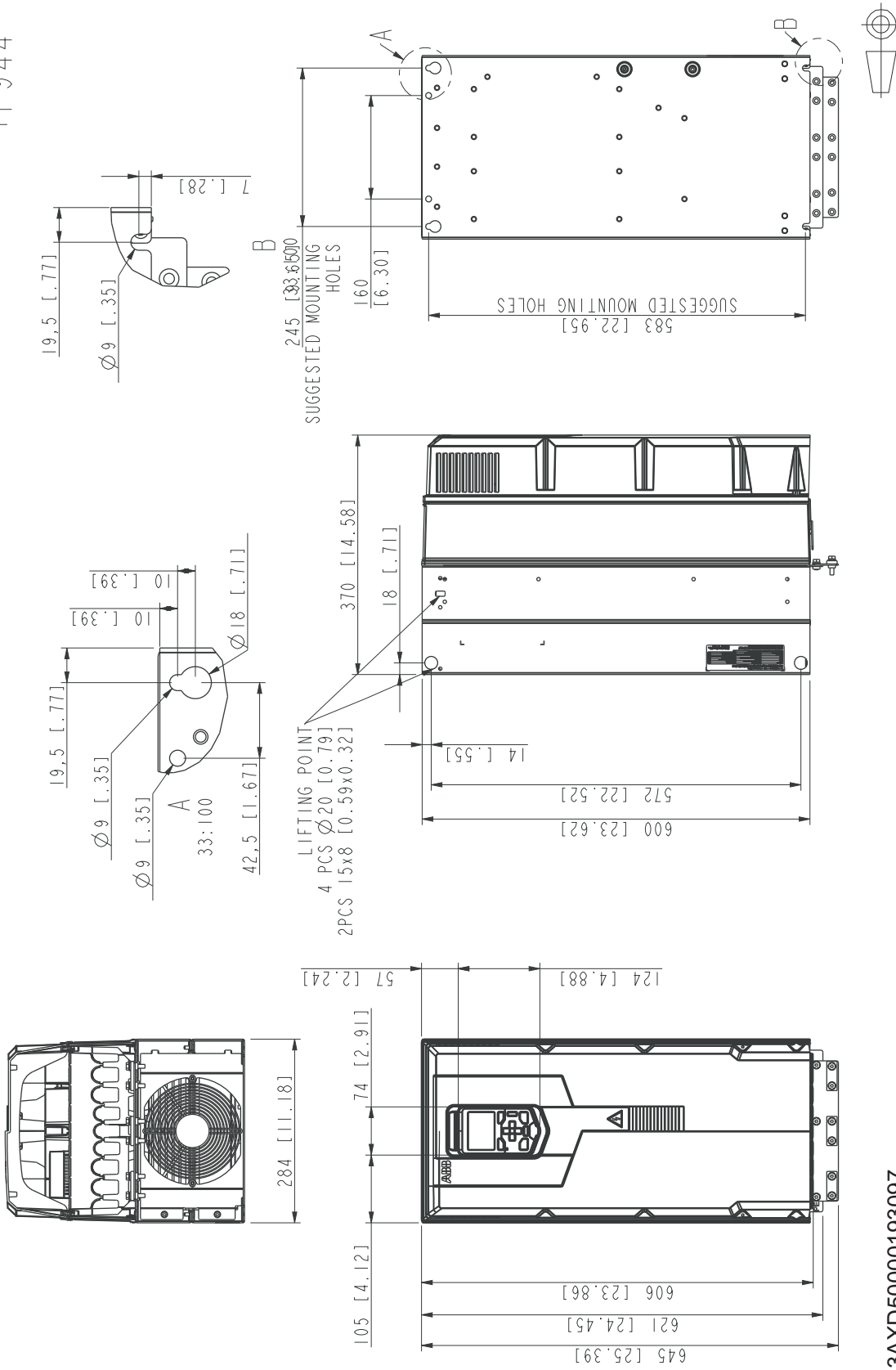
# Frame R6 – Option +P944 (IP20, UL Type Open)



3AXD50000192113

# Frame R7 – Option +P944 (IP20, UL Type Open)

+P944

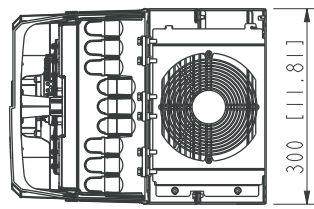
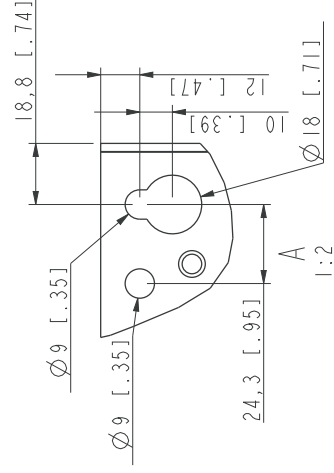
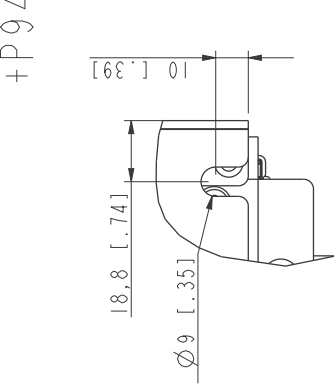


3AXD50000193097

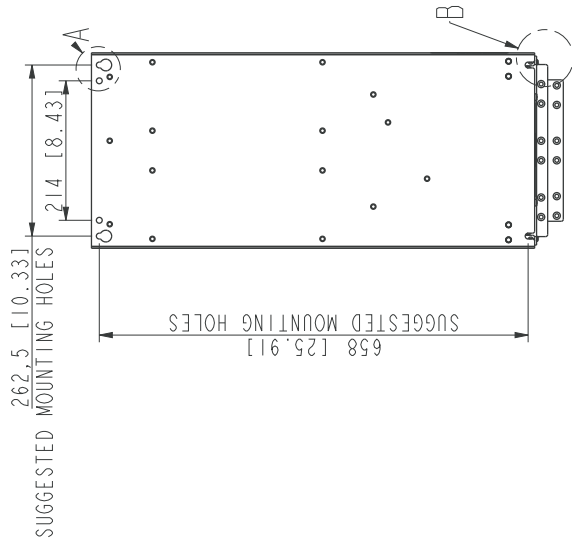


# Frame R8 – Option +P944 (IP20, UL Type Open)

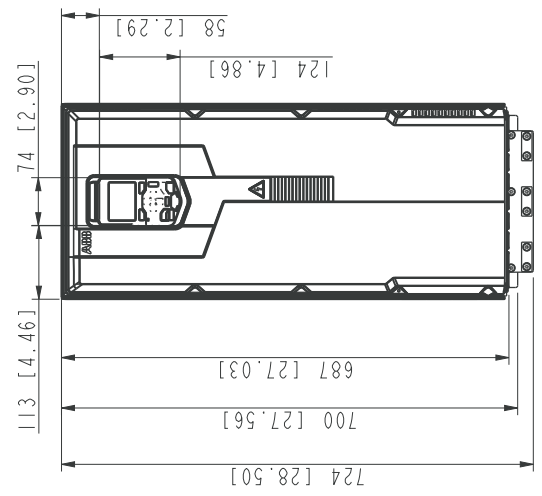
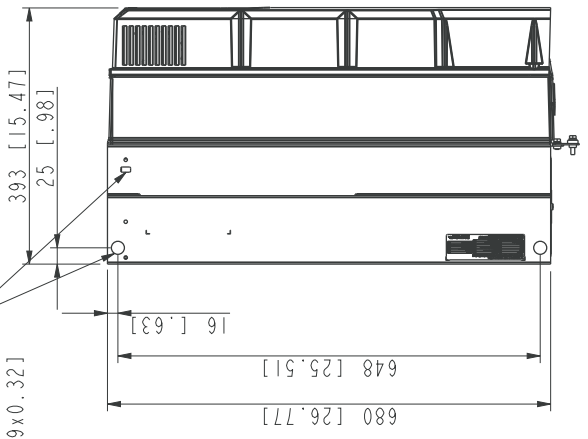
+P944



B  
1:2



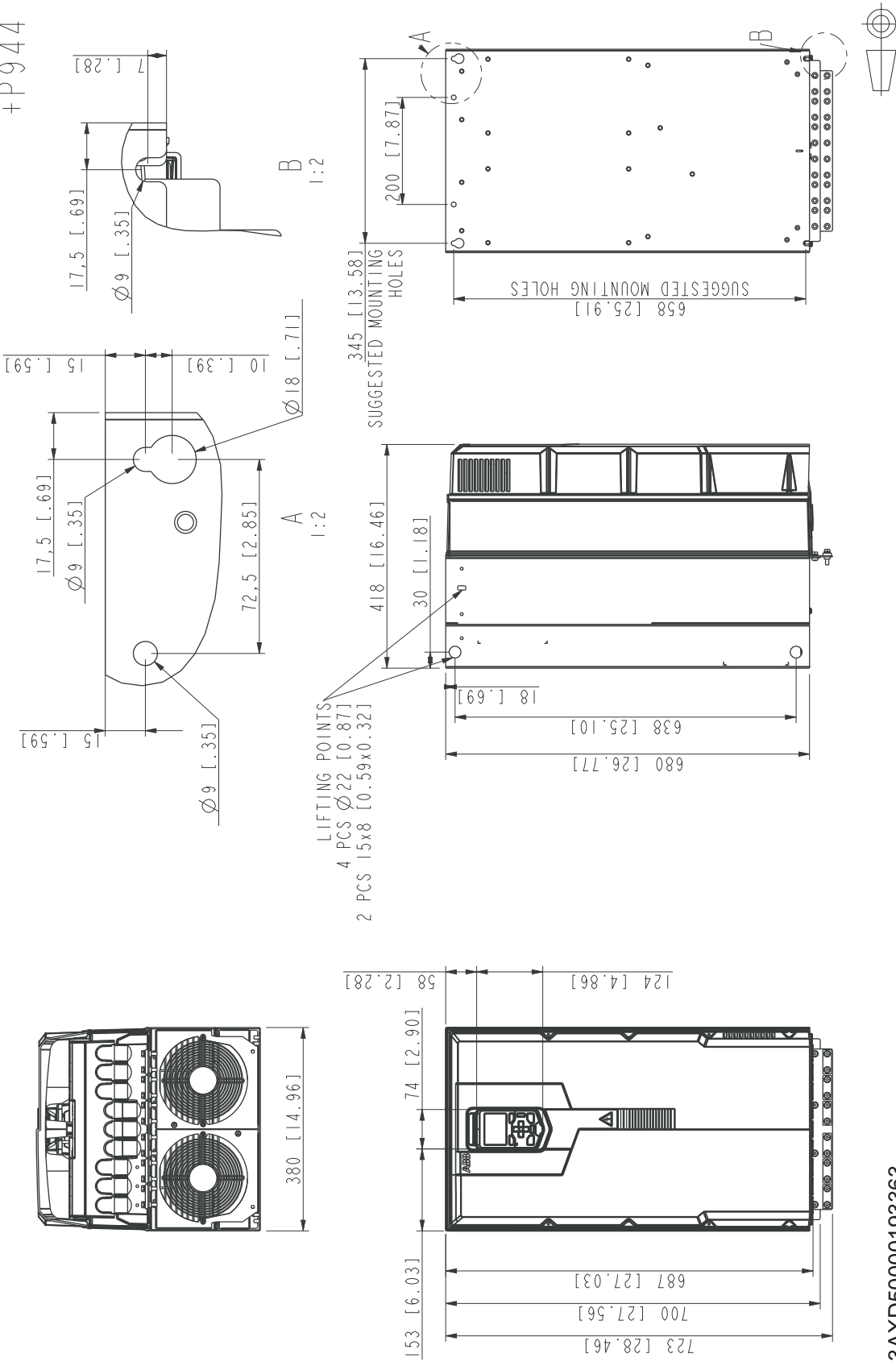
LIFTING POINTS  
4 PCS Ø20 [0.79]  
2 PCS 15x8 [0.59x0.32]



3AXD50000193424

# Frame R9 – Option +P944 (IP20, UL Type Open)

+P944



3AXD50000193363



## **Dimension drawings – ACH580-31 and ACQ580-31**

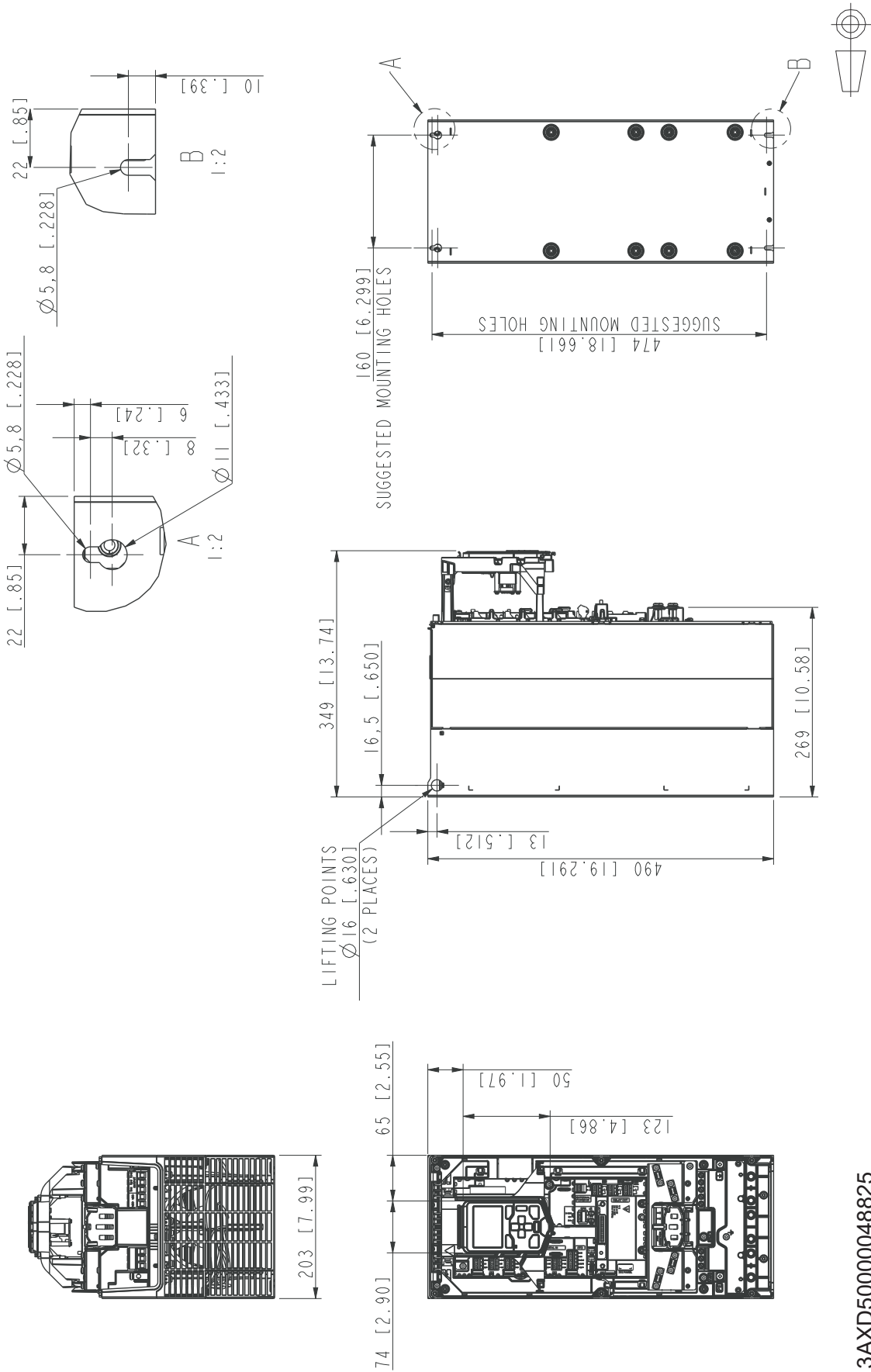
---

### **Contents of this chapter**

This chapter contains dimension drawings of ACH580-31... and ACQ580-31... +P940 drive modules.

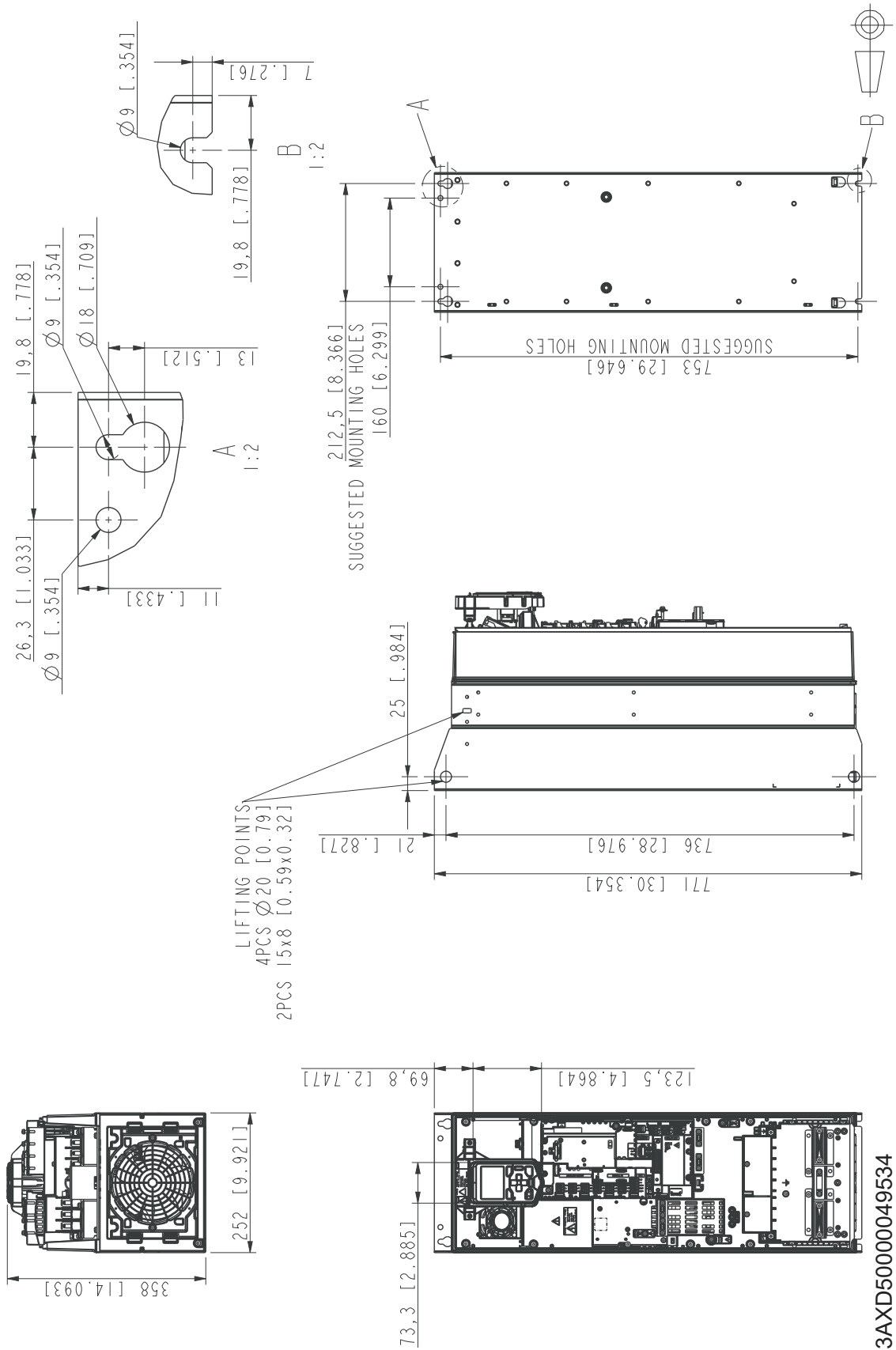
---

# Frame R3 – Option +P940 (IP20, UL Type Open)



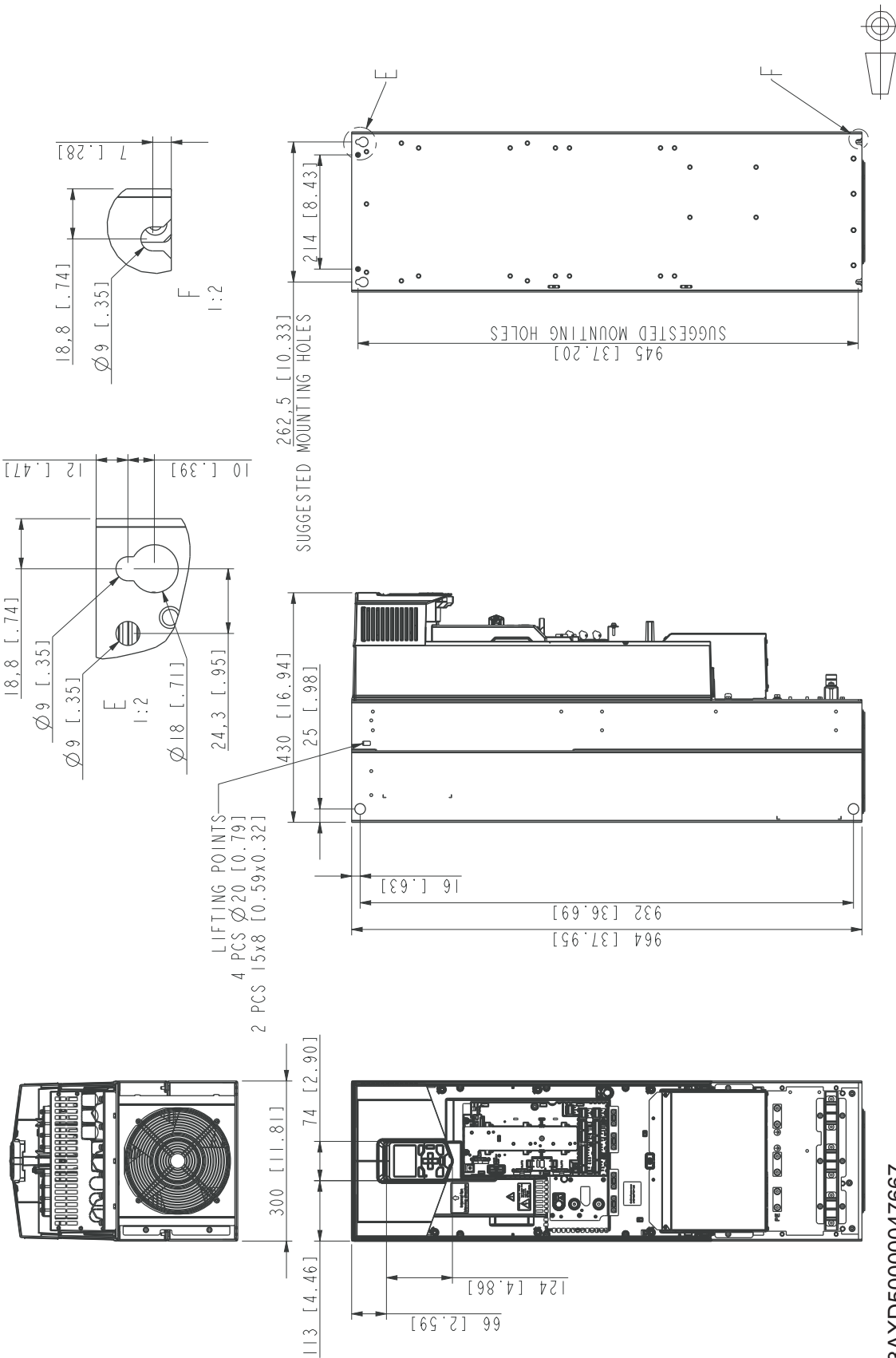
3AXD50000048825

# Frame R6 – Option +P940 (IP20, UL Type Open)



3AXD50000049534

# Frame R8 – Option +P940 (IP20, UL Type Open)



3AXD50000047667

---

# Further information

## **Product and service inquiries**

Address any inquiries about the product to your local ABB representative, quoting the type designation and serial number of the unit in question. A listing of ABB sales, support and service contacts can be found by navigating to [www.abb.com/searchchannels](http://www.abb.com/searchchannels).

## **Product training**

For information on ABB product training, navigate to [new.abb.com/service/training](http://new.abb.com/service/training).

## **Providing feedback on ABB manuals**

Your comments on our manuals are welcome. Navigate to [new.abb.com/drives/manuals-feedback-form](http://new.abb.com/drives/manuals-feedback-form).

## **Document library on the Internet**

You can find manuals and other product documents in PDF format on the Internet at [www.abb.com/drives/documents](http://www.abb.com/drives/documents).



[www.abb.com/drives](http://www.abb.com/drives)



3AXD50000210305B