



Pneumatic Double Acting Automated Ball Valve Package

Series 22
Direct Mount

Available in 316SS

Sizes 1/4" – 3"

Full Port Valve

Threaded Ends

1000 psi WOG

NACE MR-0175

2-piece High Cycle Design

Blowout Proof Stem w/ Dual
Anti-Static Devices

RTFE Seats Standard

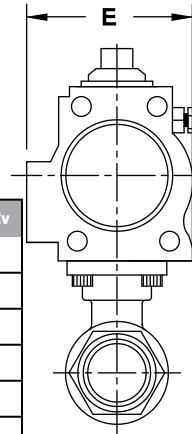
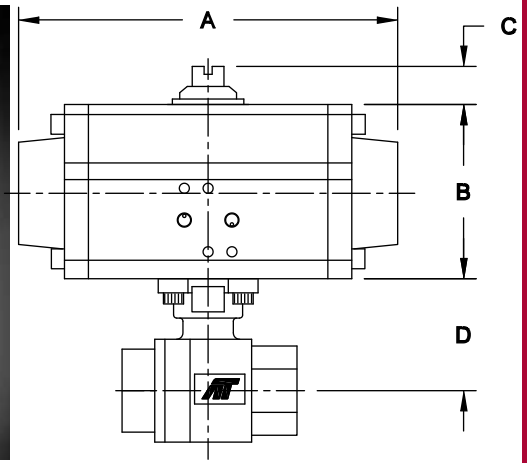
Pyramidal Stem Seal Design

STANDARDS

DESIGN	ANSI/ASME B16.34
END CONNECTIONS	ASME B1.20.1
SULFIDE STRESS PROTECTION	NACE MR0175
MOUNTING	ISO 5211
MARKING SYSTEM FOR VALVES	MSS SP-25, MSS SP-55
SAFETY INTEGRITY	IEC 61508:2010; SIL 3
MATERIAL CERTIFICATION	EN 10204-3.1 MTR
QUALITY ASSURANCE	ISO 9001:2008



Direct Mount



DIMENSIONS (IN)

VALVE SIZE	A	B	C	D	E	VALVE Cv
1/4"	4.57	1.91	0.79	1.53	1.93	7
3/8"	4.57	1.91	0.79	1.53	1.93	8
1/2"	4.57	1.91	0.79	1.60	1.93	15
3/4"	5.98	2.76	0.79	1.82	2.58	40
1"	5.98	2.76	0.79	2.24	2.58	70
1-1/4"	7.95	3.43	0.79	2.40	3.29	110
1-1/2"	7.95	3.43	0.79	3.06	3.29	250
2"	7.95	3.43	0.79	3.35	3.29	350
2-1/2"	9.29	4.49	0.79	4.31	4.41	600
3"	10.87	4.88	0.79	4.63	4.69	900

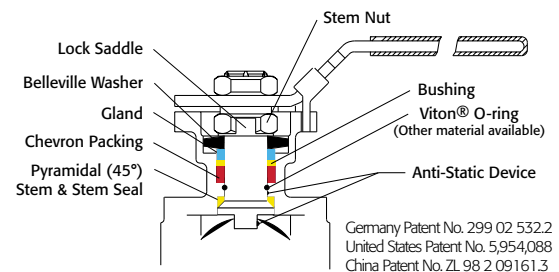
DIMENSIONS SHOWN ARE FOR ASSEMBLIES SIZED FOR 80 PSI SUPPLY



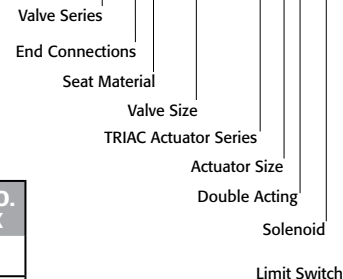
SERIES 22 2-Piece Direct Mount

SIZED FOR 80 psi AIR SUPPLY	
SIZE	MODEL
1/4"	22-TX-025/TRYD-XX
3/8"	22-TX-038/TRYD-XX
1/2"	22-TX-050/TRYD-XX
3/4"	22-TX-075/TR1D-XX
1"	22-TX-100/TR1D-XX
1-1/4"	22-TX-125/2R2D-XX
1-1/2"	22-TX-150/2R2D-XX
2"	22-TX-200/2R2D-XX
2-1/2"	22-TX-250/2R3D-XX
3"	22-TX-300/2R4D-XX

SIZED FOR 60 psi AIR SUPPLY	
SIZE	MODEL
1/4"	22-TX-025/TRYD-XX
3/8"	22-TX-038/TRYD-XX
1/2"	22-TX-050/TRYD-XX
3/4"	22-TX-075/TR1D-XX
1"	22-TX-100/TR1D-XX
1-1/4"	22-TX-125/2R2D-XX
1-1/2"	22-TX-150/2R3D-XX
2"	22-TX-200/2R3D-XX
2-1/2"	22-TX-250/2R3D-XX
3"	22-TX-300/2R4D-XX



SAMPLE PART # 22-TX-100/2R3D-XX



See valve part number matrix for complete part number and options.

OPTIONS

DESCRIPTION	PART NO. SUFFIX	DESCRIPTION	PART NO. SUFFIX
NEMA 4 Solenoid	(A)	NEMA 4 Limit Switch (2) spdt	(A)
NEMA 7 Solenoid	(B)	NEMA 7 Limit Switch (2) spdt	(B)
Intrinsically Safe Solenoid	(C)	Intrinsically Safe Limit Switch	(C)

Other options available - call for details
Actuators are sized based on clean/clear fluid.

